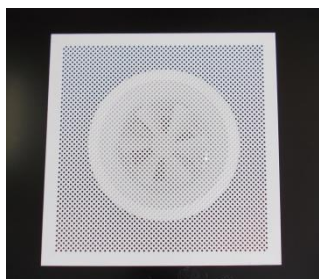


TYPE SW – 1400 – P



DESCRIPTION

The **SW-1400-P** series diffusers are circular diffusers with perforated sheet facing. The diffusers consist of six radially arranged fixed air control blades and are suitable for applications where a high level of induction is required.

AVAILABLE TYPES

The **SW-1400-P** diffusers are available with circular perforation (**SW-1400-P-C**) and with full perforated face (**SW-1400-P-S**).

NOMINAL SIZES

The **SW-1400** diffusers are available in the following sizes:

1. (595x595) / Φ 200
2. (595x595) / Φ 250
3. (595x595) / Φ 300
4. (595x595) / Φ 350
5. (595x595) / Φ 400

ACCESSORIES

- Plenum box.
- Thin acoustic fleece rear lining (type SW-1400-P-S).

INSTALLATION - FIXING

- The diffuser is available in (60 x 60) cm tile for installation on modular ceiling and has no holes on the plate.

CEILING SWIRL DIFFUSER WITH PERFORATED PLATE FACE

AIR FLOW CONTROL

The blades are factory set to 30°, 45°, 60° or 75°, depending on the installation requirements and needs.

MATERIALS

Outer ring and shell: Aluminium powder coated in white colour or in other RAL colour.

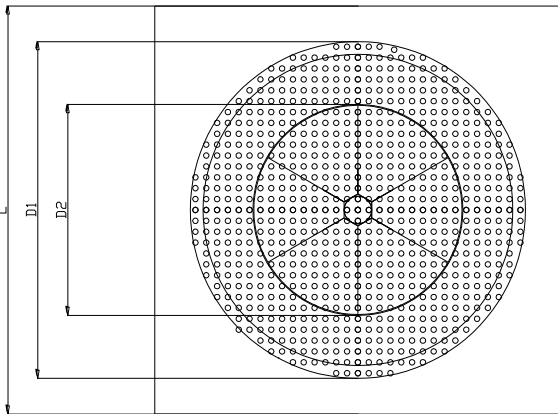
Blades: Galvanized steel power coated in white colour or in other RAL colour.

Crossbar: Galvanized steel.

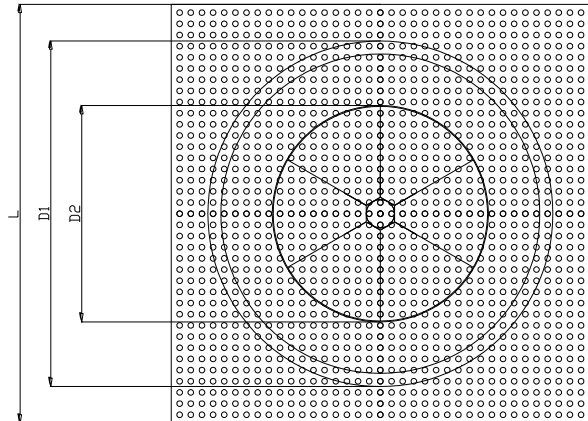
Perforated plate: Galvanized steel power coated in white colour or in other RAL colour.

SPECIFICATION TEXT

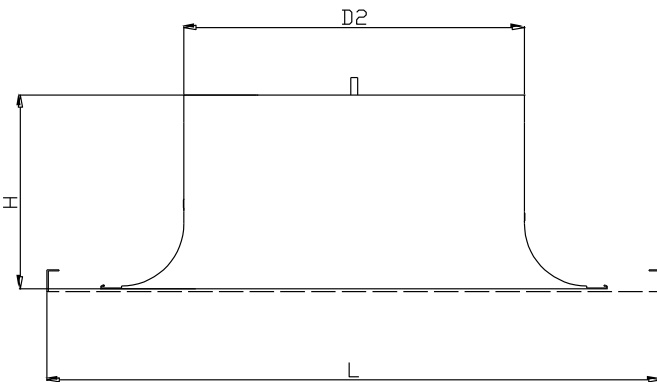
Circular swirl diffuser with fixed blades and perforated sheet facing, suitable for applications where a high level of air induction is required. Consisting of outer ring and shell made of powder coated aluminium and six radially arranged fixed blades made of galvanized steel. The diffuser face consists of a steel plate for installation in modular ceiling, available with circular or rectangular perforation.



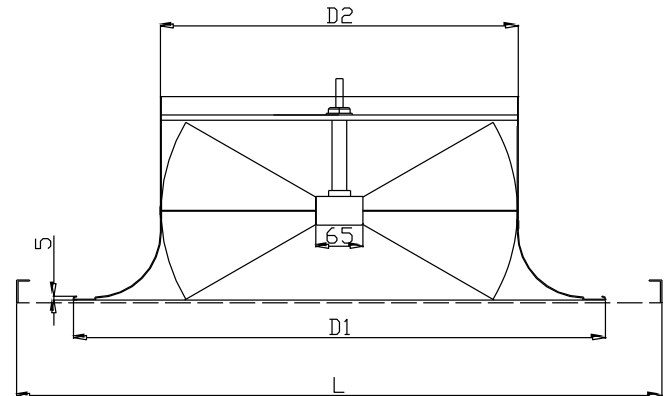
SW-1400-P-C – VIEW



SW-1400-P-S – VIEW



SW-1400-P – SIDE VIEW



SW-1400-P – SECTION

Nominal diameter	D1	D2	H
200	342	195	140
250	390	245	140
300	495	295	200
350	536	345	200
400	577	395	240

D₁ : Overall diameter
D₂ : Neck diameter
H : Height
L : Face plate dimensions (600x600) mm

NOTES

- The diffuser is available with either circular (type SW-1400-P-C), or rectangular (type SW-1400-P-S) perforation.