

TYPE CM – 502

CEILING GRILLE WITH ADJUSTABLE CURVED BLADES – TWO WAY THROW PATTERN



DESCRIPTION

The **CM** ceiling grilles with adjustable curved blades are suitable for applications where air distribution with angle control in one to four way throw pattern is required. The **CM-502** type is suitable for two way throw. The grilles can be placed in ceilings and visible ducts. They can also be used for extracting air applications for aesthetic purposes.

Their main characteristics are:

- Adjustable curved blades individually regulated or connected in groups for uniform movement.
- Special anti-vibrant bearings for the blades' support, preventing vibrations and noise generation.
- Air-tight seal around the rear side perimeter in contact, to prevent air leakage and blackening of the false ceiling. Available for the 32 mm width frame.

NOMINAL SIZES

The **CM** grilles are available in any combination of dimensions to meet the needs of the project.

We highlight that:

- The order dimensions are the dimensions of the **opening**.
- The blades are placed parallel to the **first** dimension of the grille.

ACCESSORIES

- Mechanical assembly system for the uniform movement of the blades. **(-G)**
- Opposed blades volume damper, adjustable by an easily accessible key. **(-D)**
- Dust or grease filter. The dust filters are available in white **VILEDON** or net black **FCU** type. Grease filters are metallic. (See relevant brochure). **(-F)**
- The grilles can be accessible **(-A)**, with or without filter and filter case. (See relevant brochure).
- Equalizing grid. **(-E)**
- The grilles are available with 32 mm or 19 mm width frame.

INSTALLATION - FIXING

Each grille frame has counter punched holes and is delivered with flat-head, self-drilling screws, powder coated in the same RAL colour as the grille. For concealed installation, the frame has no holes.

AIR FLOW CONTROL

The angle and spread of the air flow is controlled by rotating the adjustable blades. The volume damper is easily regulated by a key or a regulating screw.

MATERIALS

Frame and blades: Extruded aluminium anodized in matt silver or powder coated in RAL colour.

Bearings: Polyethylene resistant up to 45°C. For resistance in higher temperatures, the blades are placed on steel spring.

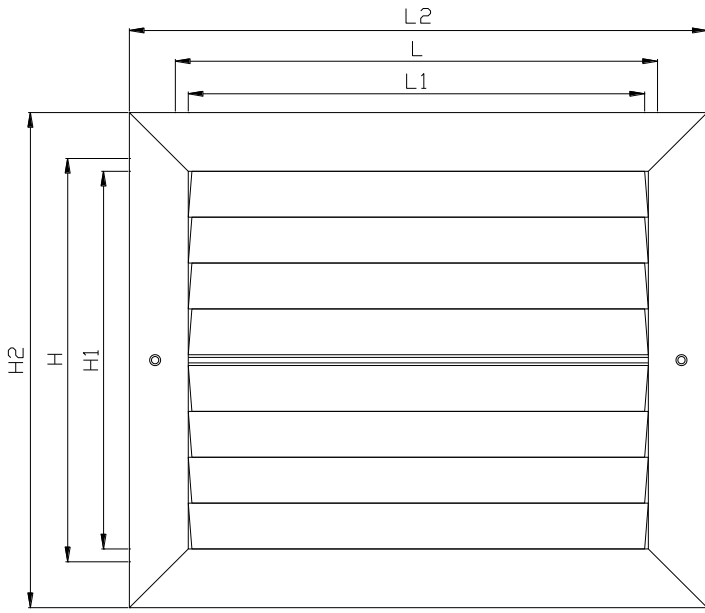
Frame seal: «Ω» type PVC. (Only available for 32 mm width frame).

Volume damper: Aluminium.

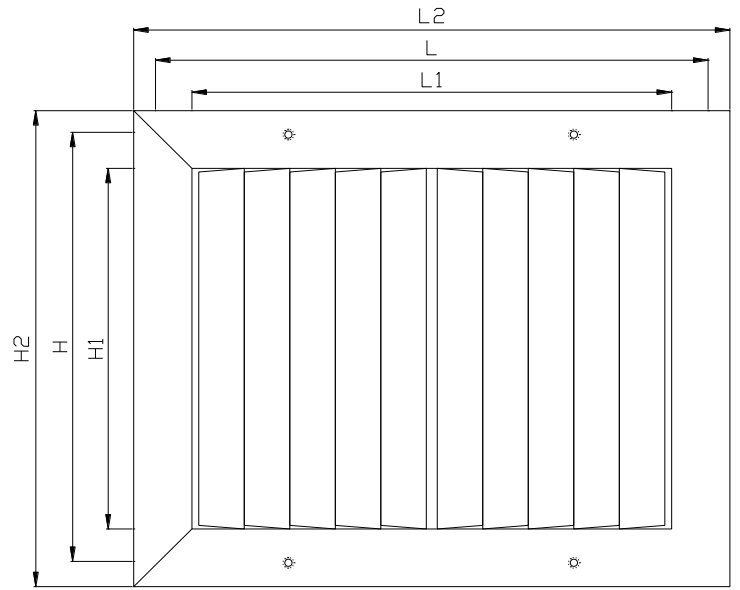
Screws: Galvanized steel (DIN 7504).

SPECIFICATION TEXT

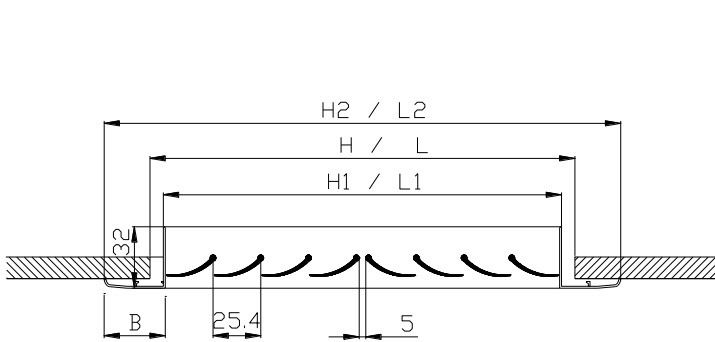
Supply air grille of rectangular shape, consisting of adjustable curved blades from anodized aluminium, suitable for air discharge in two way throw pattern. The blades can be individually regulated or connected in groups for uniform movement. With optional volume damper and/or equalizing grid.



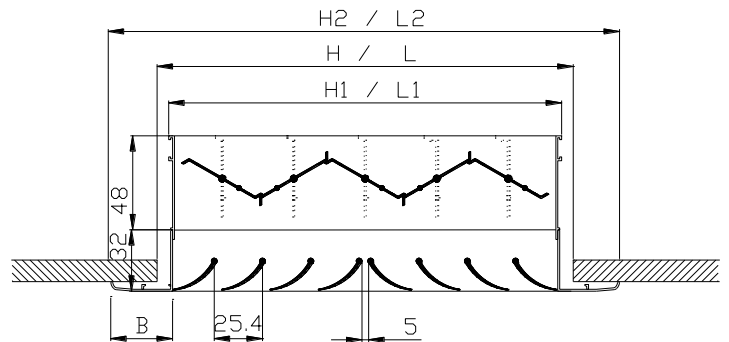
CM-502 – VIEW (L x H)



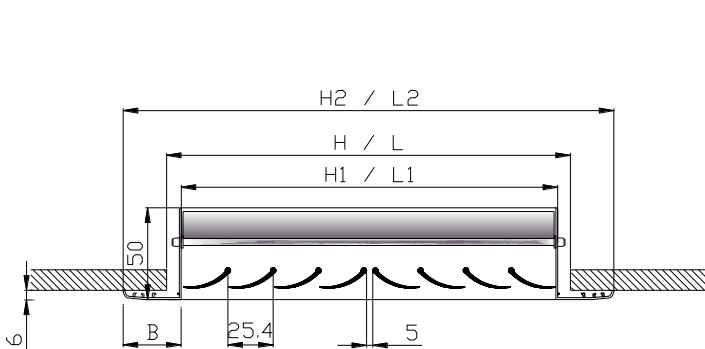
CM-502 – VIEW (H x L)



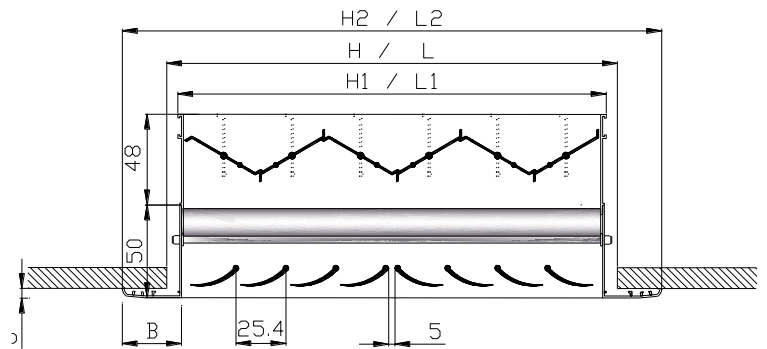
CM-502 – SECTION



CM-502-D – SECTION WITH DAMPER



CM-502-E – SECTION WITH GRID



CM-502-D-E – SECTION WITH DAMPER AND GRID



- L : Nominal length – horizontal dimension
H : Nominal height – vertical dimension
L₁ : Length $L_1 = L - 12\text{mm}$ to -16mm
H₁ : Height $H_1 = H - 12\text{mm}$ to -16mm
L₂ : Overall length $L_2 = L_1 + 2B$
H₂ : Overall height $H_2 = H_1 + 2B$
B : Frame width. Typical 32 mm. Optional 19 mm.

NOTES

1. When ordering, refer first to the dimension parallel to the blades, i.e. for horizontal blades length is specified first and for vertical blades height is specified first.
2. Volume damper is available for all types.
3. The grille comes with counter punched holes and self-drilling screws in the same RAL colour.
4. The number of holes are two (one on the right and one on the left) for grilles up to 250 mm, and four (two on the top and two on the bottom) for grilles over 300 mm.