

**TYPE**  
VR – 2100 / VR – 2150 / VS – 2100

**DISC VALVE**



## DESCRIPTION

The disc valves of **VS-2100** (supply) and **VR-2100, VR-2150** (extraction) series are suitable for installation on false ceilings. They are available in the following types:

- VS-2100:** supply – metal
- VR-2100:** extraction – metal
- VR-2150:** extraction – plastic

The disc valves are suitable for fresh air supply and foul air extraction applications and are simply connected to flexible ducts. The metal disc valve is made of steel sheet, powder coated in white colour, while the plastic valve is made of ABS plastic, resistant up to 100 °C.

Their main characteristics are:

- Low noise level.
- Regulated air flow by turning the inner control disc.
- Quick and easy to install.
- Compact and light structure.
- Frame seal.

## NOMINAL SIZES

1. Φ 100
2. Φ 125
3. Φ 150
4. Φ 200

## ACCESSORIES

- Fitting neck.

## INSTALLATION – FIXING

The metal disc valves are fixed on the fitting neck by means of screws; the neck is delivered with three counter punched holes.

The plastic disc valves have metal clips for direct mounting on the fitting neck; the neck is delivered with three counter punched holes.

## MATERIALS

### Metal valves VS-2100 VR-2100

Frame and valve: Galvanized steel sheet or powder coated in RAL colour.

Fitting neck and screw: Galvanized steel.

Frame seal: Polyester foam.

### Plastic valve VR-2150

Frame and valve: ABS plastic in white colour.

Screw: Galvanized steel.

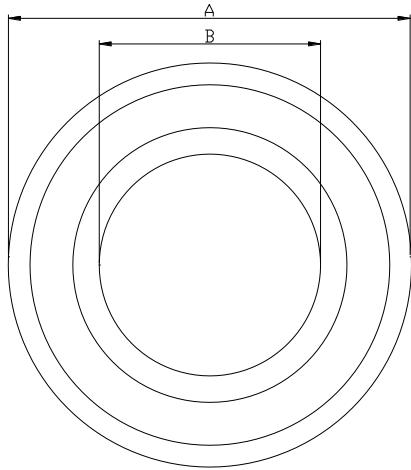
Fitting neck: Aluminium.

## SPECIFICATION TEXT

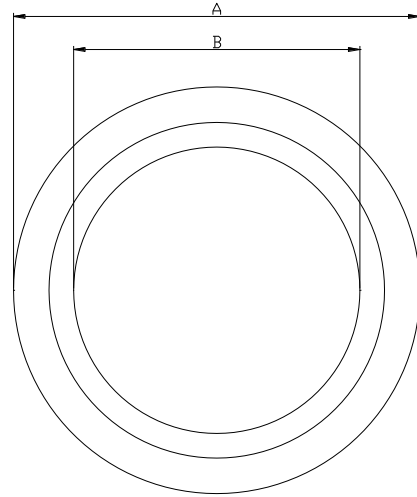
Air disc valve with adjustable air flow by turning the central control disc. Air adjustment by means of central screw.

The disc valve is made of galvanized steel sheet or powder coated in RAL colour.

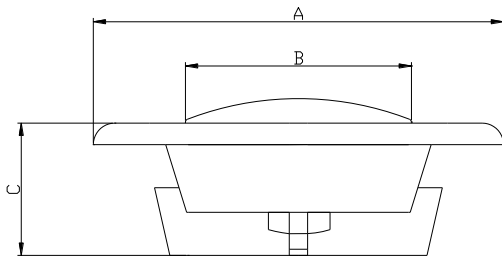
The disc valve is made of ABS plastic, resistant up to 100°C.



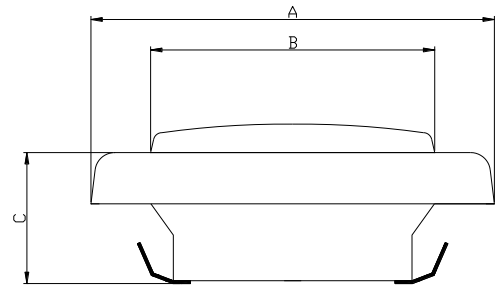
VR-2100 – VIEW



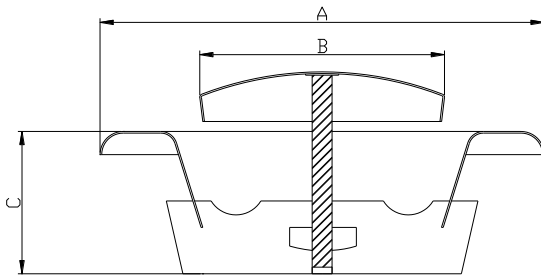
VR-2150 - VIEW



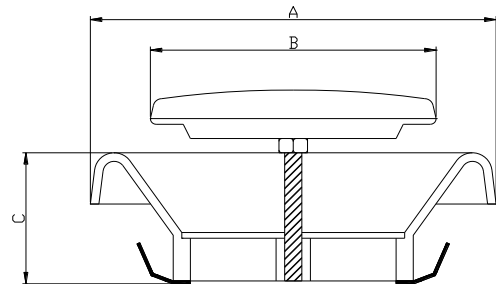
VR-2100 – SIDE VIEW



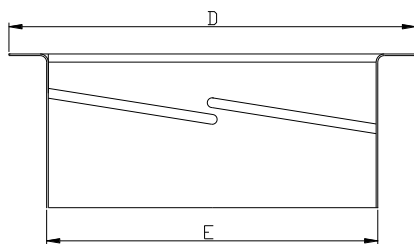
VR-2150 – SIDE VIEW



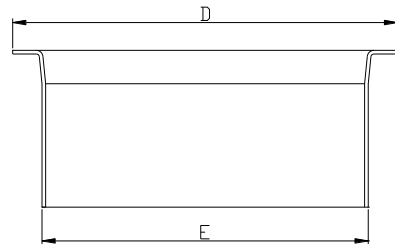
VR-2100 – SECTION



VR-2150 – SECTION



METAL FITTING NECK – SECTION



ALUMINIUM FITTING NECK – SECTION

	NOMINAL DIMENSION			
	Φ 100	Φ 125	Φ 150	Φ200
<b>A</b>	140	170	202	254
<b>B</b>	75	99	119	157
<b>C</b>	40	46	54	64
<b>D</b>	125	150	175	225
<b>E</b>	99	124	149	199

- A : Overall diameter  
 B : Inner diameter  
 C : Height  
 D : Overall neck diameter  
 E : Neck diameter - opening