

TYPE  
FA – 450/FA – 450 C

EXTERNAL AIR GRILLES – WEATHER GRILLES  
LOUVER TYPE



### DESCRIPTION

The **FA** series grilles have fixed blades at 45° and designed to take in or expel air to the environment. Suitable for outdoor installation on walls, ducts and external surfaces where protection against severe weather conditions (rain, wind) is needed.

Their main characteristics are:

- Fixed grilles at 60° and 55° for **FA-450** and **FA-450-C** respectively, ensuring protection against severe weather conditions.
- Mesh on the back of the inner side to prevent the entry of insects and small objects.
- Seal on the back of the frame for **FA-450** grilles so the perimeter in contact with the wall is airtight.

### NOMINAL SIZES

The **FA-450** grilles are available in any combination of dimensions to meet the needs of the project.

We highlight that:

- The order dimensions are the dimensions of the **opening**.
- The blades are placed parallel to the **first** dimension of the grille.

The **FA-450 C grilles** are available in the following diameters:

Φ200	Φ350
Φ250	Φ400
Φ300	

### ACCESSORIES

- Opposed blades volume damper, adjustable by an easily accessible key. **(-D)**
- Dust or grease filter. The dust filters are available in white **VILEDON** or net black **FCU** type. Grease filters are metallic. (See relevant brochure). **(-F)**
- Mesh screen for the restraint of foreign objects, insects, etc. **(-M)**
- The **FA-450** grilles are available with 60 mm width frame on the bottom and 45 mm on the perimeter.

### INSTALLATION – FIXING

Each grille frame has counter punched holes and is delivered with flat-head, self-drilling screws, powder coated in the same RAL colour as the grille. For concealed installation, the frame has no holes.

### MATERIALS

Frame and blades: Extruded aluminium anodized in matt silver or powder coated in RAL colour.

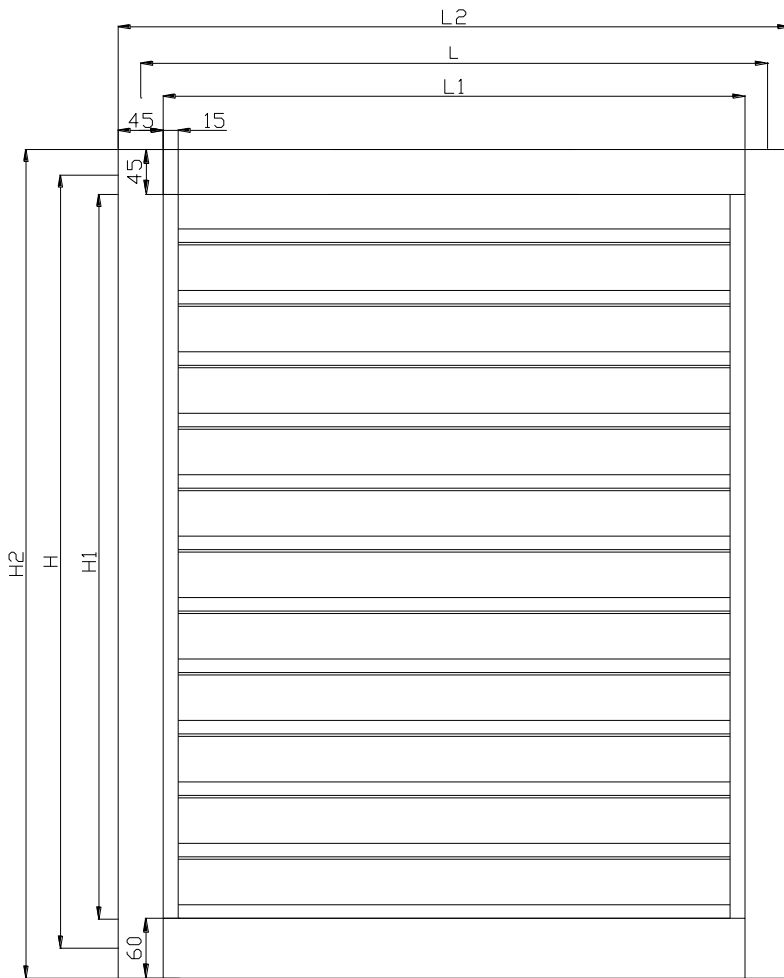
Frame seal: «Ω» type PVC. (Only available for 32 mm width frame).

Volume damper: Aluminium.

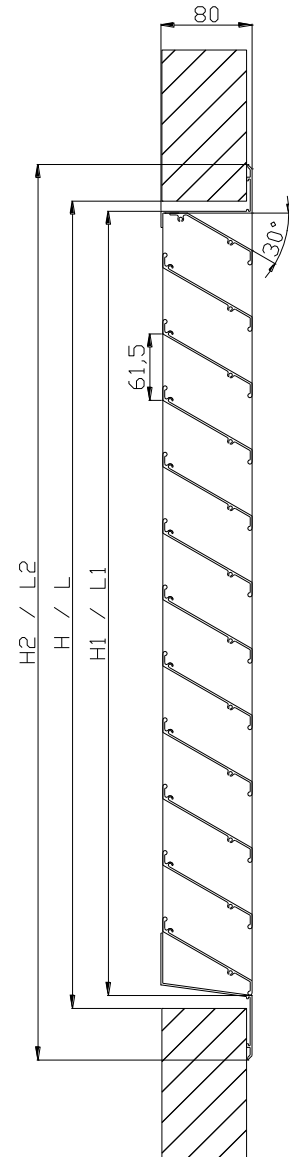
Screws: Galvanized steel (DIN 7504).

### SPECIFICATION TEXT

Weather resistant air louver for protection against severe weather conditions and foreign objects, consisting of fixed blades at 60 °C from anodized aluminium. The grille is suitable for outdoor installation. With mesh screen.



FA-450 – VIEW (L x H)

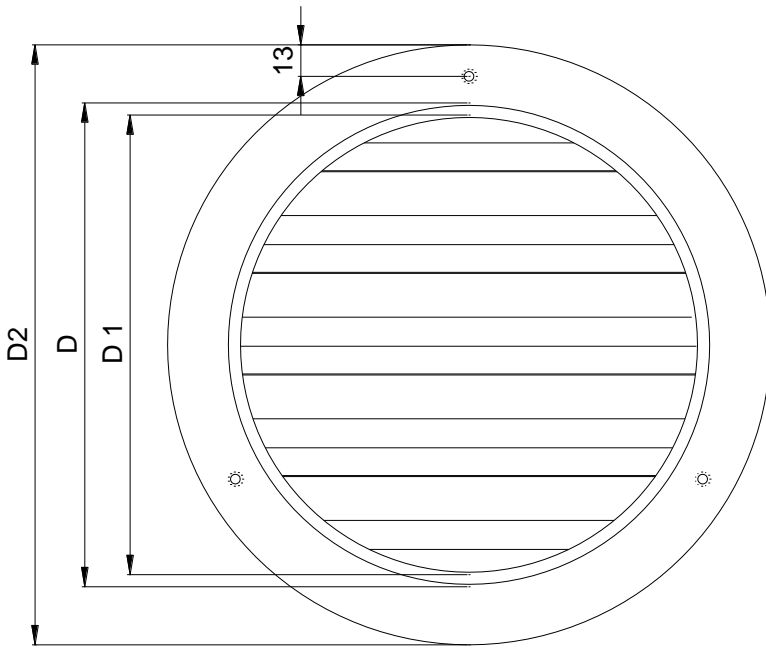


FA-450 – SECTION

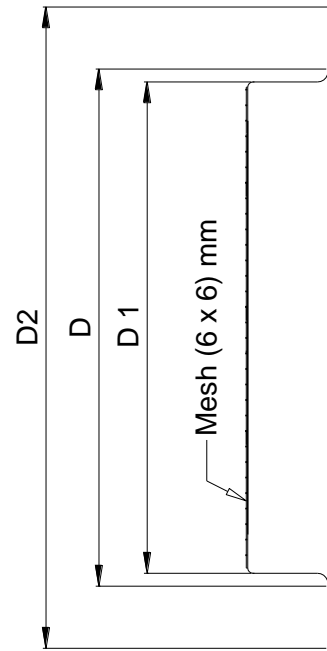
- L : Nominal length – horizontal dimension  
H : Nominal height – vertical dimension  
 $L_1$  : Length  $L_1 = L - 10\text{mm}$   
 $H_1$  : Height  $H_1 = H - 10\text{mm}$   
 $L_2$  : Overall length  $L_2 = L_1 + 90\text{mm}$   
 $H_2$  : Overall height  $H_2 = H_1 + 105\text{mm}$

## NOTES

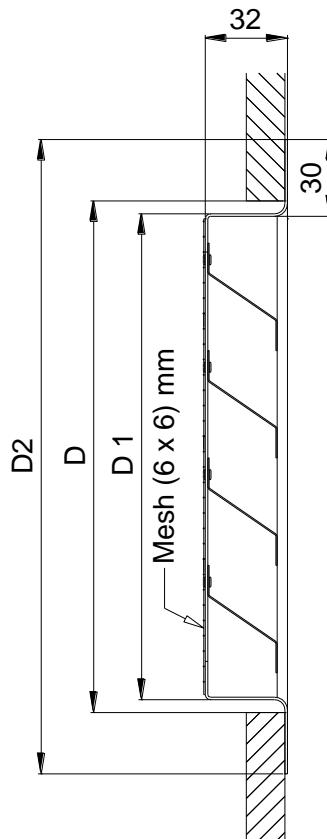
1. When ordering, refer first to the dimension parallel to the blades, i.e. for horizontal blades length is specified first and for vertical blades height is specified first.
2. Volume damper is available for all types.
3. The grille comes with counter punched holes and self-drilling screws in the same RAL colour.
4. The number of holes are two (one on the right and one on the left) for grilles up to 250 mm, and four (two on the top and two on the bottom) for grilles over 300 mm.



FA-450 C – VIEW



FA-450 C – SIDE VIEW



FA 450 C – SECTION

- D : Nominal diameter (order diameter)
- D<sub>1</sub> : Neck diameter  $D_1 = D - 10\text{mm}$
- D<sub>2</sub> : Overall diameter  $D_2 = D_1 + 58\text{mm}$