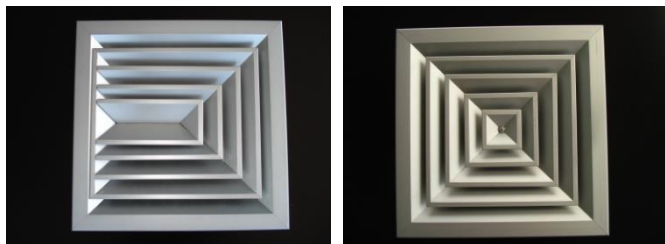
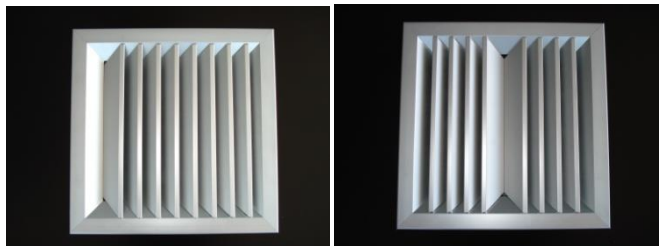


TYPE CA – 601/602/603/604

CEILING DIFFUSER WITH FIXED AIR DEFLECTION ONE-FOUR WAY FLOW PATTERN



DESCRIPTION

The **CA** rectangular ceiling diffusers can be used for both supply and extract applications. They consist of concentric fixed frames and are suitable for horizontal discharge. The diffuser core is available in 1, 2, 3 and 4 way discharge arrangement. They can be placed on ceilings or ducts.

Their main characteristics are:

- Solid and light construction.
- The diffusers are available with removable core for ease in installation and access to the duct.
- The diffusers are available in four types:
CA-601 one-way,
CA-602 two-way,
CA-603 three-way and
CA-604 four-way.

NOMINAL SIZES

CA diffusers are available in combinations from **152 mm x 152 mm** banded per **76.2 mm (3")** or from **150 mm x 150 mm** banded per **50 mm**, in any dimension. They can be of square or rectangular shape.

We highlight that :

- The nominal dimensions are the dimensions of the **fitting opening** for the plenum box/duct.
- The blades for the one-way diffusers are placed parallel to the **first** dimension of the diffuser.

ACCESSORIES

- Opposed blades volume damper, adjustable by an easily accessible spigot. **(-D)**
- Equalizing grid. **(-E)**
- The diffusers are available with 32 mm width frame.

INSTALLATION - FIXING

Installation on false ceiling

The opening on the false ceiling must be 65 mm larger than the nominal dimensions. The plenum box or the air duct must end 40 mm above the false ceiling where the diffuser is to be placed. (See attached drawings).

Visible fixing

Each diffuser frame has counter punched holes and is delivered with flat-head, self-drilling screws, powder coated in the same RAL colour as the diffuser.

Concealed fixing

The diffuser has no holes on the frame; it is fixed on the plenum box by removing the core.

AIR FLOW CONTROL

Depending on the type of the diffuser, air flow discharge can be arranged from one to four ways.

The equalizing grid provides an even distribution of the air flow. The volume damper is easily regulated by a key in the diffuser.

MATERIALS

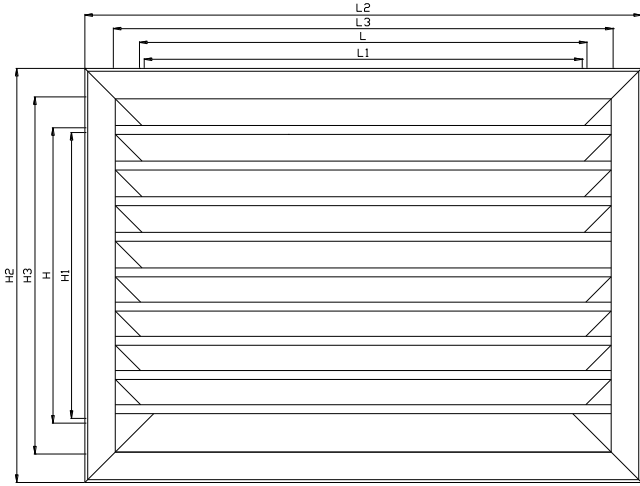
Frame and blades: Extruded aluminium anodized in matt silver or powder coated in RAL color.

Volume damper: Aluminium.

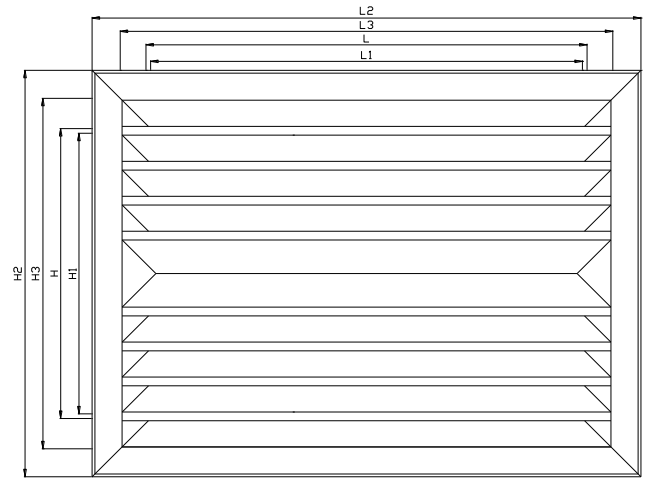
Fixing screws: Galvanized steel (DIN 7504).

SPECIFICATION TEXT

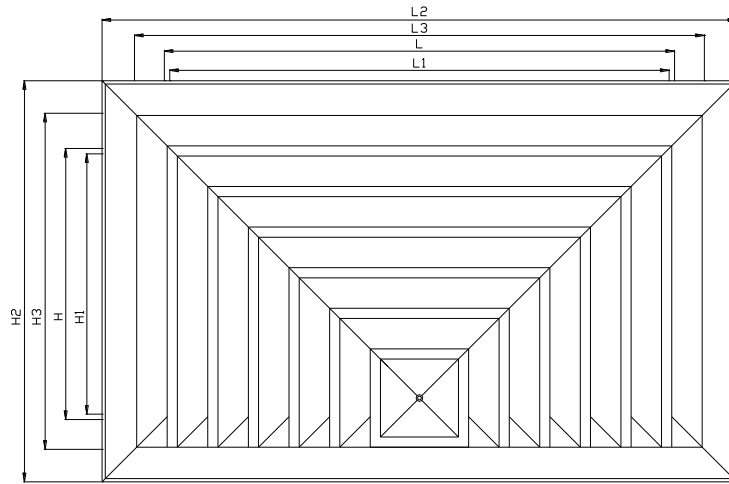
Supply air diffuser of square or rectangular shape, consisting of concentric frames from anodized aluminium, suitable for horizontal air discharge in one to four ways pattern as required. With removable core and optional volume damper and/or equalizing grid.



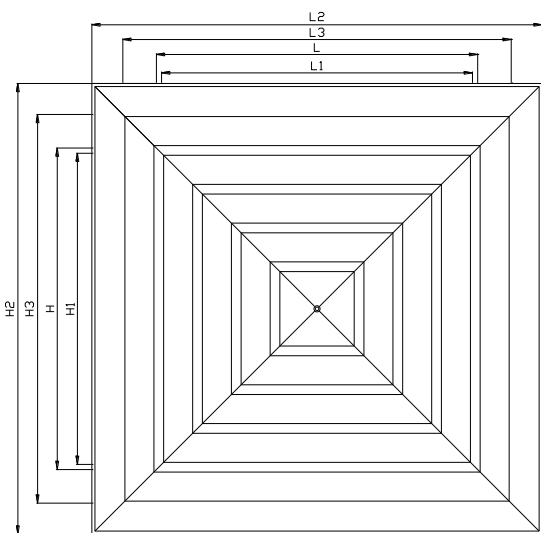
CA-601 – VIEW



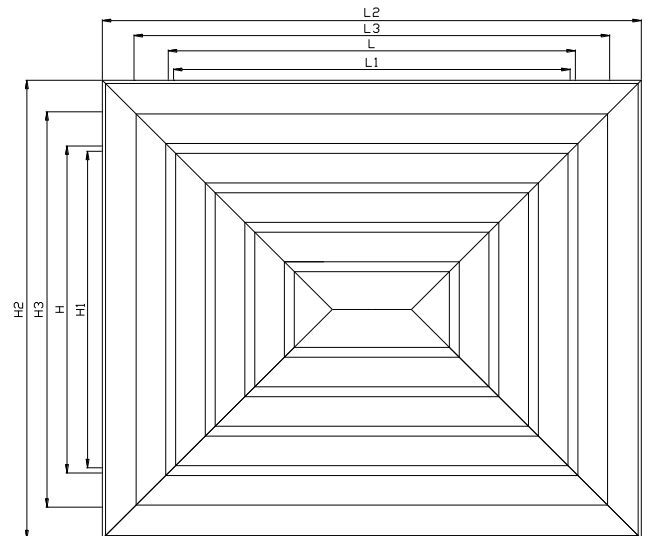
CA-602 – VIEW



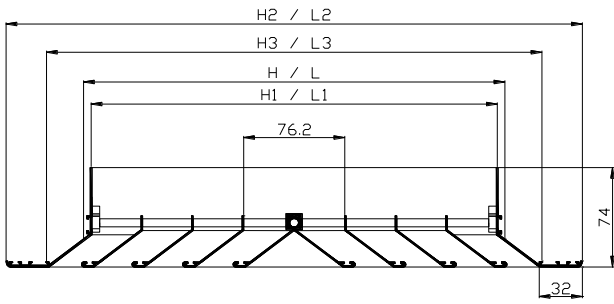
CA-603 – VIEW



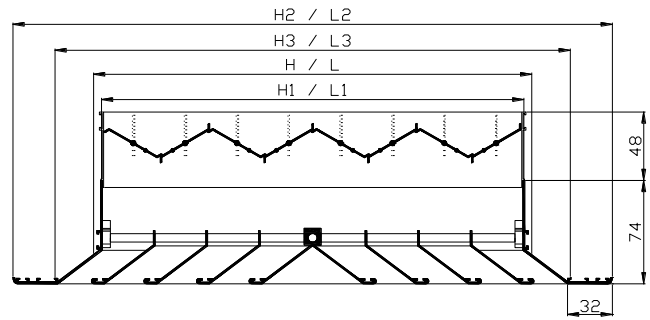
CA-604 SQUARE – VIEW



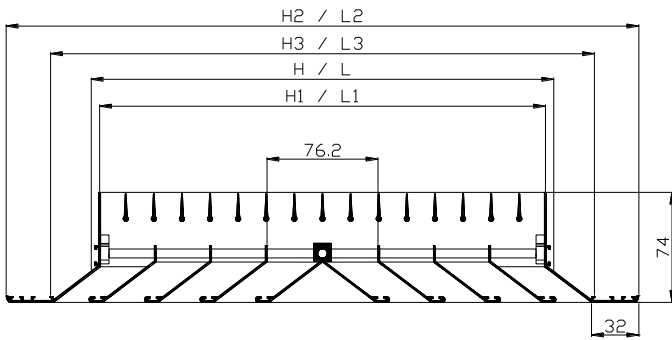
CA-604 RECTANGULAR – VIEW



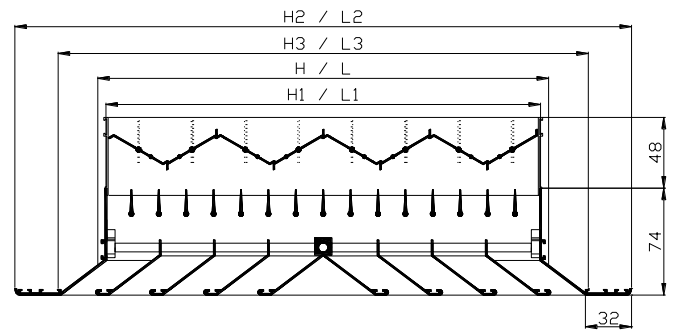
CA-604 – SECTION



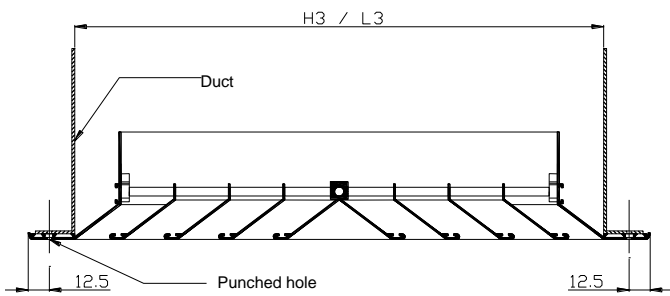
CA-604-D – SECTION WITH DAMPER



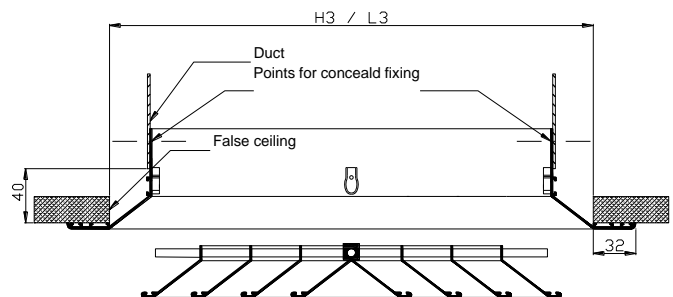
CA-604-E – SECTION WITH GRID



CA-604-D-E – SECTION WITH DAMPER AND GRID



VISIBLE FIXING



CONCEALED FIXING

- L : Nominal length – horizontal dimension
H : Nominal height – vertical dimension
L₁ : Length $L_1 = L - 10\text{mm}$
H₁ : Height $H_1 = H - 10\text{mm}$
L₂ : Overall length $L_2 = L_1 + 125\text{mm}$
H₂ : Overall height $H_2 = H_1 + 125\text{mm}$
L₃ : False ceiling opening - Length $L_3 = L_1 + 65\text{mm}$
H₃ : False ceiling opening - Height $H_3 = H_1 + 65\text{mm}$
B : Frame width. Typical 32 mm.

NOTES

1. When ordering, refer first to the dimension parallel to the blades, i.e. for horizontal blades length is specified first and for vertical blades height is specified first.
2. Volume damper is available for all types.
3. Equalizing grid is available for all types.
4. The diffuser comes with counter punched holes and self-drilling screws in the same RAL color.
5. The number of holes is two (one on the right and one on the left) for diffusers up to 250 mm, and four (two on the top and two on the bottom) for diffusers over 300 mm.