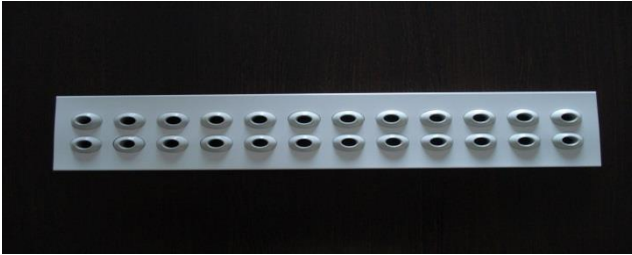
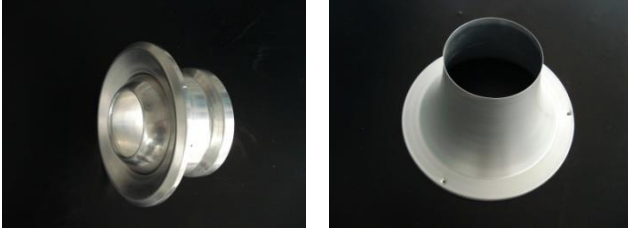


TYPE JM – 2000/JF – 2000/ MULTIJET

JET DIFFUSERS



DESCRIPTION

JET diffusers are designed to supply air in large premises, where air has to travel a large distance. They are available in two types: **JF-2000** with fixed nozzle and **JM-2000** with adjustable nozzle. They are suitable for installation in large spaces such as stadiums, large gyms, malls and can be used for both cooling and heating applications providing air diffusion at large throw. The JM-2000 series allow precision on the direction of the air stream, while providing modern aesthetic appealing to the architectural market. Both types can be mounted on walls or directly on to ducts.

Their main characteristics are:

- Long throw for both types.
- Pivoting movement to suit the needs of the project (**JM** type only).

NOMINAL SIZES

The **JET** diffusers are available in the following diameters:

- Φ 100 mm
- Φ 125 mm
- Φ 160 mm
- Φ 200 mm
- Φ 250 mm
- Φ 315 mm
- Φ 400 mm

We highlight that:

- The nominal diameter is the **order diameter** for the case of direct mounting on the duct.

The **JM** type is also available in serial nozzle allocation in rectangular frame with either plastic nozzles (Φ15) or aluminium nozzles (Φ46).

ACCESSORIES

- Electric actuator for the adjustment of the direction of the air stream. (**JM** type).

INSTALLATION - FIXING

The **JM** jet diffuser has no holes on the frame; It is fixed by removing the front part of the jet.

The **JF** diffuser has three counter punched holes and is delivered with flat-head, self-drilling screws, powder coated in the same RAL colour as the diffuser. For concealed installation, the frame has no holes.

AIR FLOW CONTROL

The direction of the supply air in the **JM** type can be adjusted by manually rotating the inner spherical part at any angle. The direction of the air stream can also be adjusted with the use of an actuator within the range of $\pm 30^\circ$.

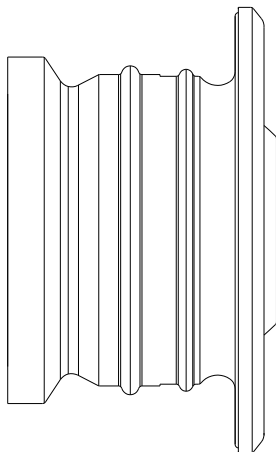
MATERIALS

Extruded anodized aluminium in mat silver or powder coated in RAL colour.

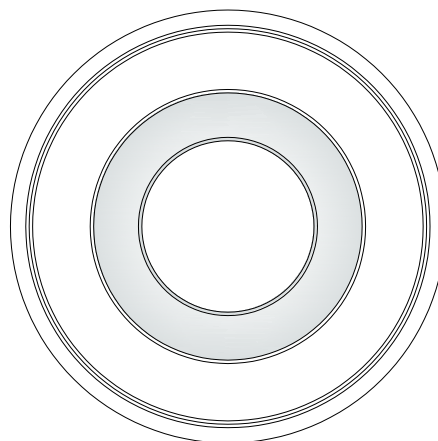
SPECIFICATION TEXT

JET nozzle diffuser suitable for long throw distances, of anodized aluminium, consisting of discharge nozzle with spherical outlet, mounting frame and casing for direct fixing on either circular or rectangular ducts. The spherical core's pivoting movement is adjusted manually or by means of optional actuator.

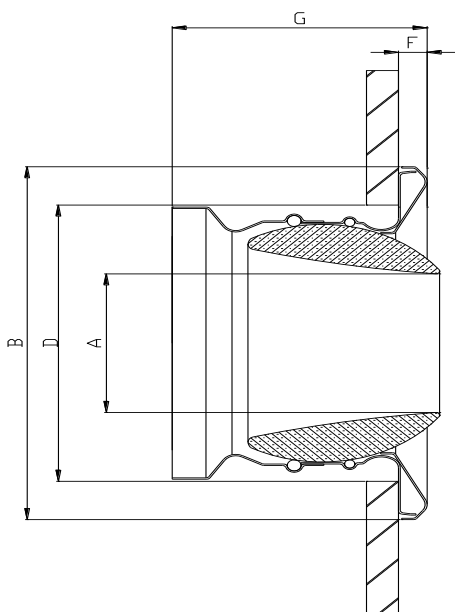
JET nozzle diffuser suitable for long throw distances, of anodized aluminium, consisting of aerodynamically shaped nozzle.



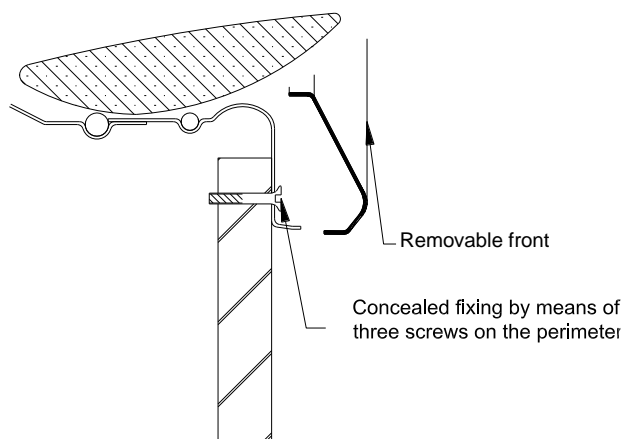
JM – SIDE VIEW



JM – FRONT VIEW



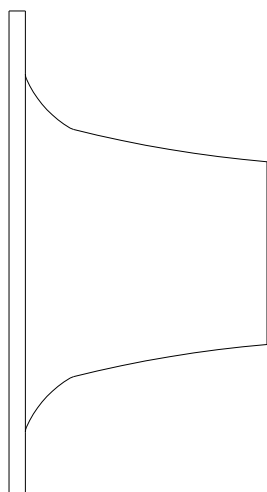
JM – SECTION



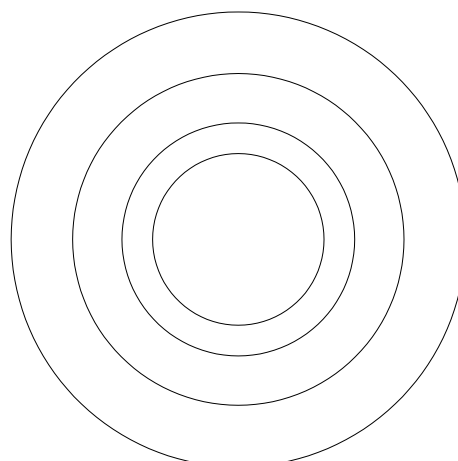
JM – CONCEALED FIXING DETAIL

Nominal Sizes	A	B	D	F	G
100	46	140	98	10	78
125	64	173	123	12	99
160	78	199	158	15	110
200	108	268	198	17	150
250	131	319	248	17	170
315	170	376	313	17	204
400	230	453	398	17	210

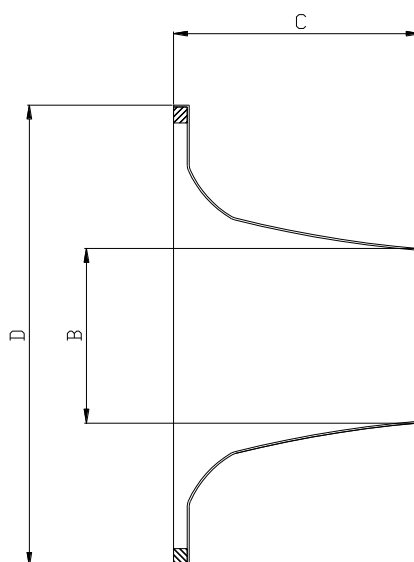
- A : Neck diameter
- B : Overall diameter
- D : Nominal diameter (Order diameter)
- F : Front part depth
- G : Overall depth



JF – SIDE VIEW



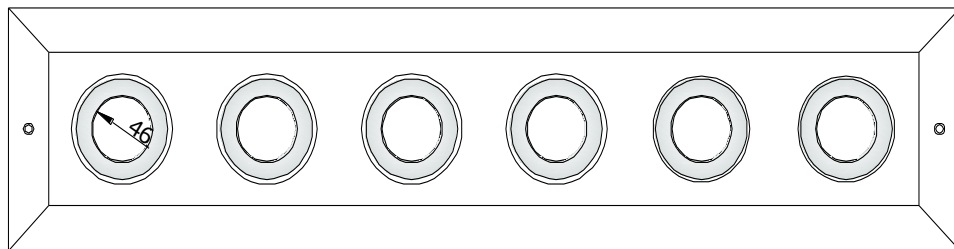
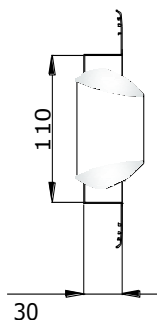
JF – FRONT VIEW



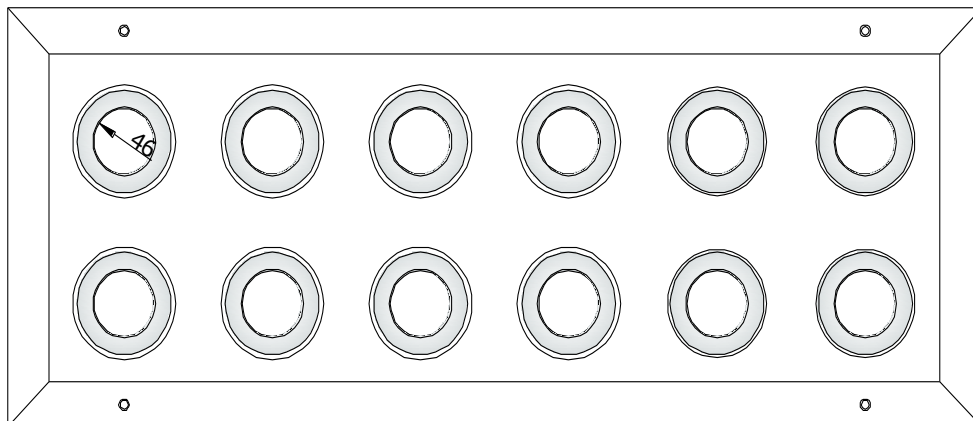
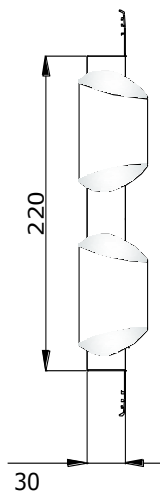
JF – SECTION

Nominal Sizes	B	C	D
100	50	94	136
125	64	112	159
160	82	122	225
200	105	153	265
250	136	187	315
315	174	224	400
400	230	287	485

B : Neck diameter
C : Overall length
D : Overall diameter

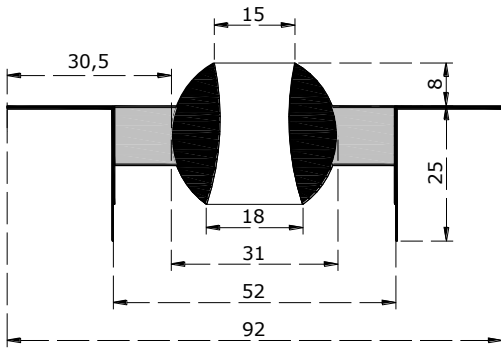


MULTIJET 1 – SECTION & VIEW

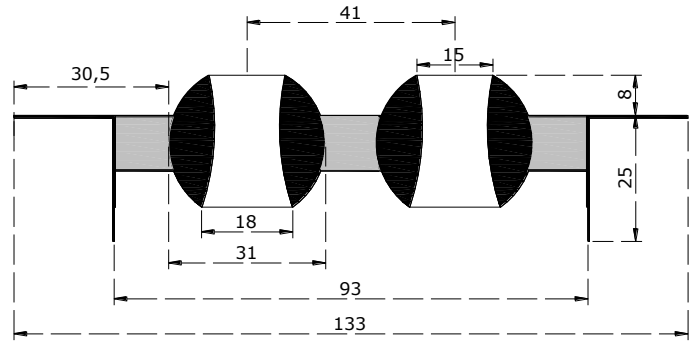


MULTIJET 2 – SECTION & VIEW

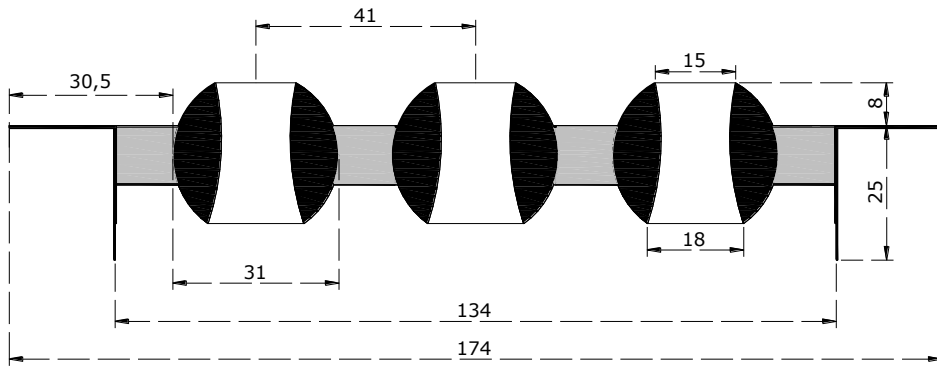
Nominal sizes	Number of jets/row	Plenum/opening dimensions (single row)	Plenum/opening dimensions (double row)
115x110/220	1	125x120	125x230
230x110/220	2	240x120	240x230
345x110/220	3	355x120	355x230
460x110/220	4	470x120	470x230
575x110/220	5	585x120	585x230
690x110/220	6	700x120	700x230
805x110/220	7	815x120	815x230
920x110/220	8	930x120	930x230
1035x110/220	9	1045x120	1045x230



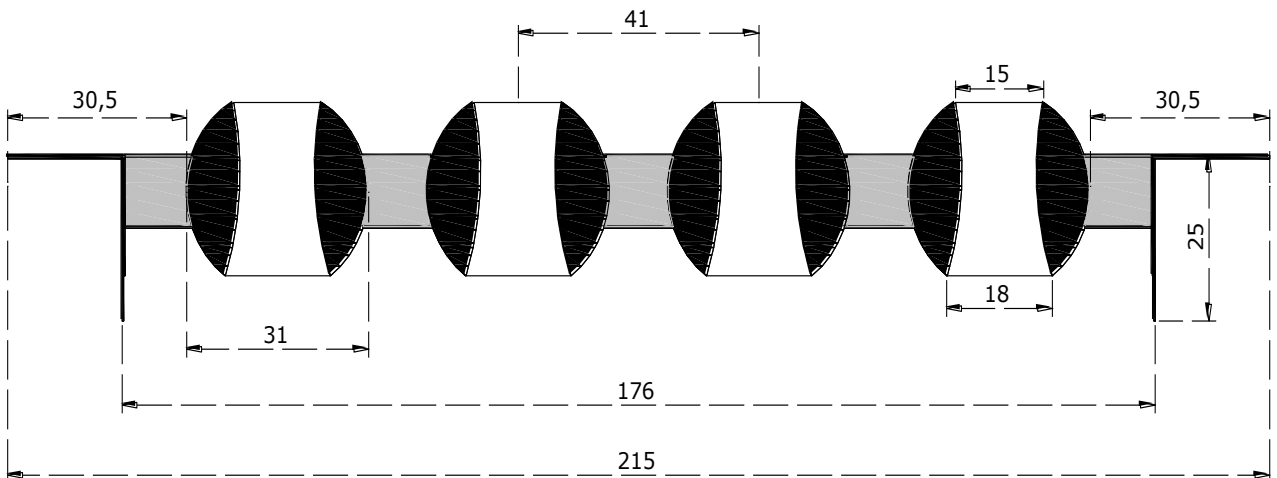
MULTIJET 1 – SECTION



MULTIJET 2 – SECTION



MULTIJET 3 – SECTION



MULTIJET 4 – SECTION