

TYPE FA – 400/FA – 400 C

EXTERNAL AIR GRILLES – WEATHER GRILLES



DESCRIPTION

The **FA** series grilles have fixed blades at 45 °C and designed to take in or expel air to the environment. Suitable for outdoor installation on walls, ducts and external surfaces where protection against severe weather conditions (rain, wind) is needed.

Their main characteristics are:

- Fixed grilles at 45 °C, ensuring protection against severe weather conditions.
- Mesh on the back of the inner side to prevent the entry of insects and small objects.

NOMINAL SIZES

The **FA-400 C grilles** are available in the following diameters:

Φ100	Φ150
Φ125	Φ200

INSTALLATION – FIXING

The **FA-400-C** grilles have no holes for concealed installation.

MATERIALS

Frame and blades: Extruded aluminium anodized in matt silver or powder coated in RAL colour.

Frame seal: «Ω» type PVC. (Only available for 32 mm width frame).

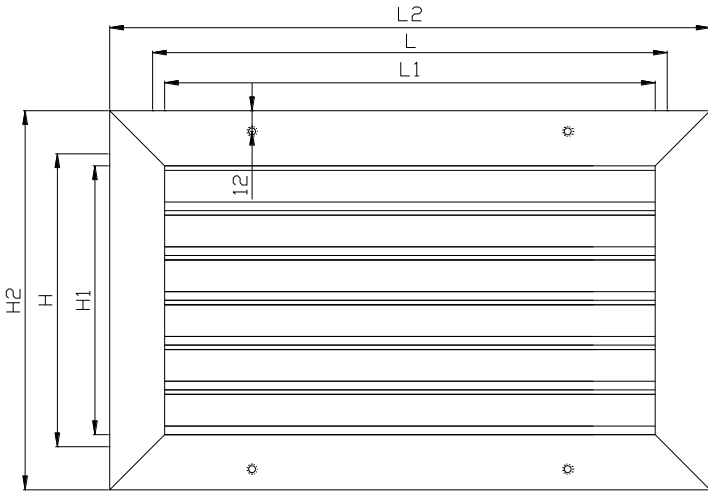
Volume damper: Aluminium.

Screws: Galvanized steel (DIN 7504).

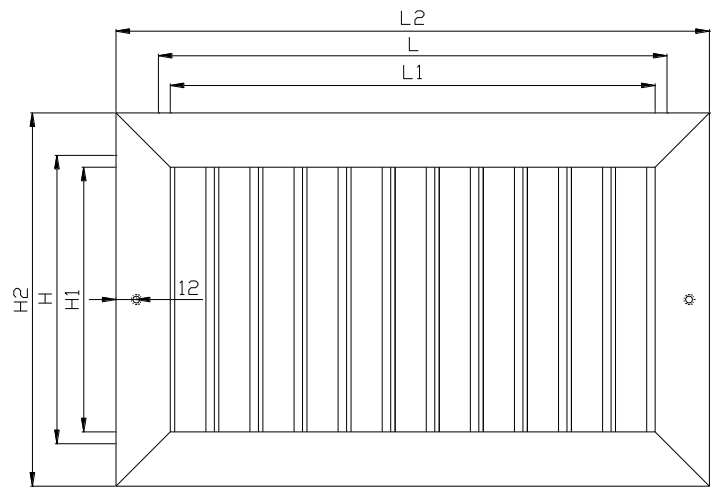
SPECIFICATION TEXT

Weather resistant air grille for protection against severe weather conditions and foreign objects, consisting of fixed blades at 45° from anodized aluminium. The grille is suitable for outdoor installation. With mesh screen.

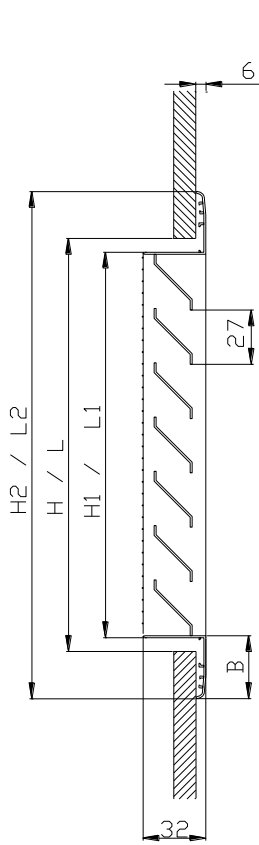
FOR ORDER PURPOSE, THE FIRST GIVEN DIMENSION REFERS TO THE DIMENSION PARALLEL TO THE BLADES



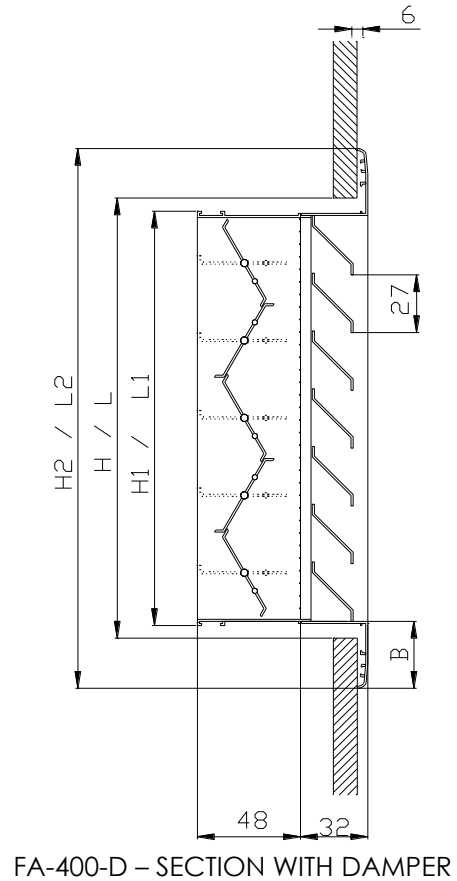
FA-400 – VIEW (L x H)



FA-400 – VIEW (H x L)



FA-400 – SECTION

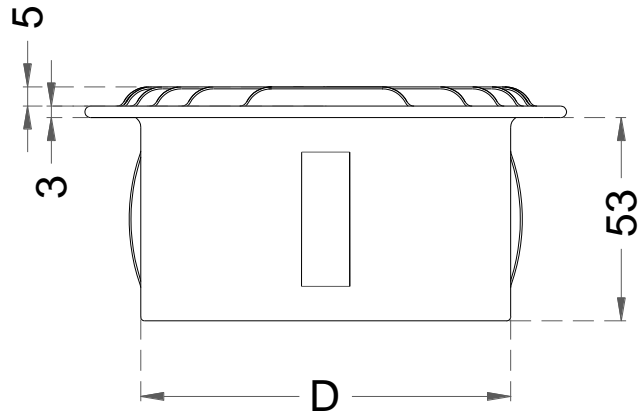


FA-400-D – SECTION WITH DAMPER

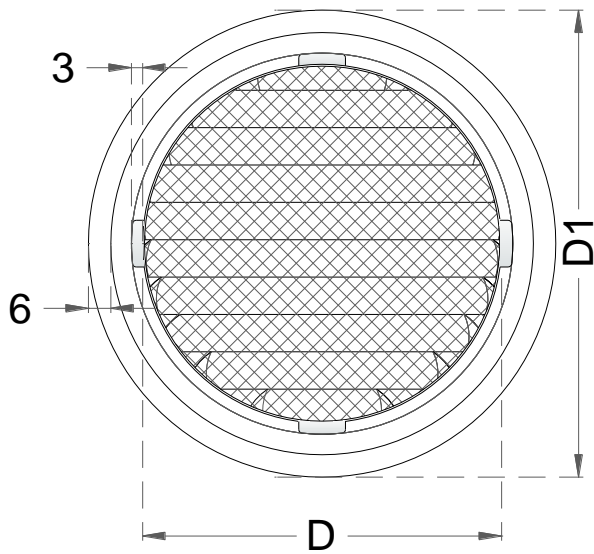
- L : Nominal length – horizontal dimension
H : Nominal height – vertical dimension
L₁ : Length L₁ = L – 12mm to -16mm
H₁ : Height H₁ = H – 12mm to -16mm
L₂ : Overall length L₂ = L₁ + 2B
H₂ : Overall height H₂ = H₁ + 2B
B : Frame width. Typical 32 mm. Optional 19 mm.

NOTES

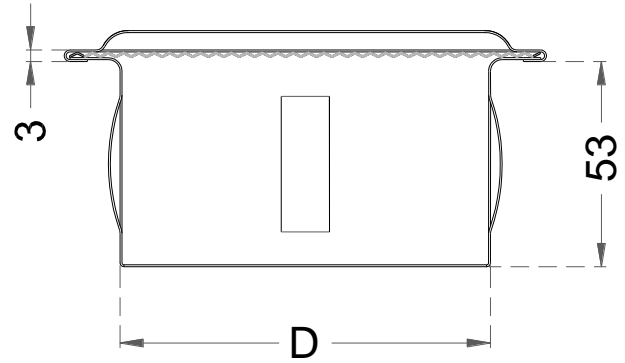
1. When ordering, refer first to the dimension parallel to the blades, i.e. for horizontal blades length is specified first and for vertical blades height is specified first.
2. Volume damper is available for all types.
3. The grille comes with counter punched holes and self-drilling screws in the same RAL colour.
4. The number of holes are two (one on the right and one on the left) for grilles up to 250 mm, and four (two on the top and two on the bottom) for grilles over 300 mm.



FA-400C - SIDE VIEW



FA-400C - BACK VIEW



FA-400C - SECTION

Nominal Diameter Φ	D (mm)	D1 (mm)	H (mm)
100	96	125	53
120	115	150	53
150	145	175	53
200	195	240	53

D : Neck diameter
 D₁ : Overall diameter
 H : Height

