

TYPE DR



DESCRIPTION

The **DR** series dampers are volume dampers suitable for circular ducts. It is constructed from a single galvanized steel sheet (1 – 1.5 mm thick) and has a blade that can be adjusted in three ways:

- Manually: type **DR**
- ON/OFF actuator: type **DR-S1**
- Analogue actuator: type **DR-S2**

Their main characteristics are:

- Circular section for direct installation on circular ducts.
- Solid and light construction.

NOMINAL SIZES

The **DR** dampers are available in any diameter between $\Phi 100$ mm and up to $\Phi 600$ mm.

We highlight that:

- The order dimensions are the dimensions of the **duct**.

ACCESSORIES

- Manual control lever, **DR**
- ON – OFF actuator, **DR-S1**
- Analogue actuator (220V or 24V), **DR-S2**

CIRCULAR VOLUME DAMPER

INSTALLATION - FIXING

Each damper is fixed on the circular duct by means of rivets.

AIR FLOW CONTROL

The air flow is regulated by adjusting the incline of the blade (flap) by means of control lever or actuator.

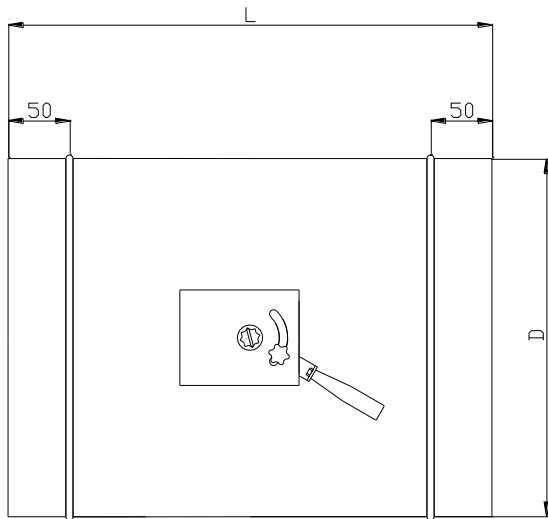
MATERIALS

Casing and blade: Galvanized steel sheet.

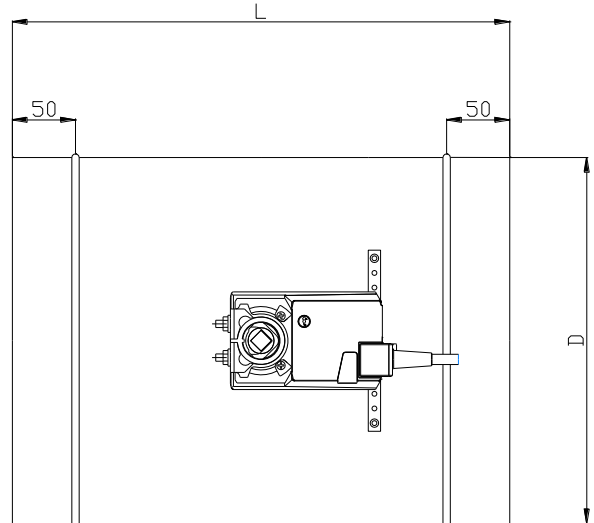
Bearings: Polyethylene resistant up to 45°C.

SPECIFICATION TEXT

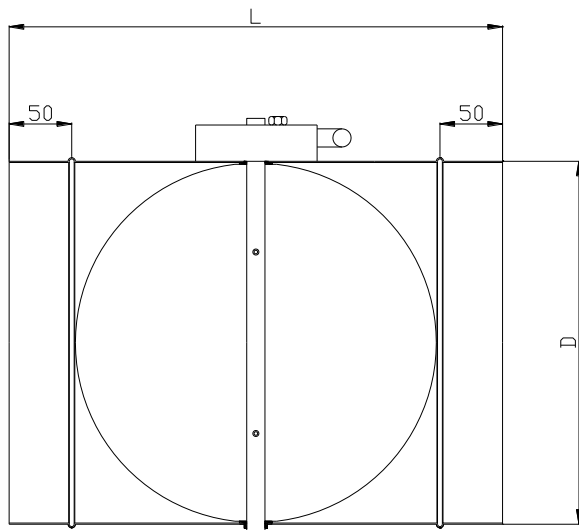
Single blade volume damper of galvanized steel sheet. The blade will bear a control lever for manual adjustment of the air flow, or an actuator for remote adjustment.



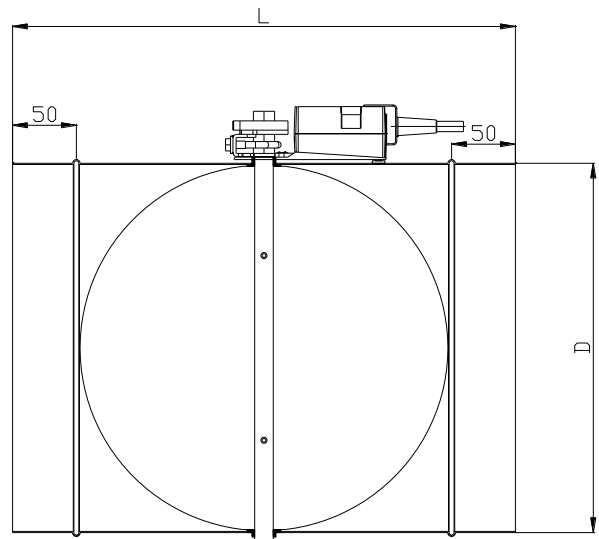
DR - VIEW - CONTROL LEVER



DR - S1/S2 - VIEW - ACTUATOR



DR - SECTION (OPEN)



DR - S1/S2 - SECTION (OPEN)

- L : Nominal length – typically $D + 100\text{mm}$
- D : Nominal diameter (Order diameter)
- S₁ : Type with ON / OFF actuator
- S₂ : Type with analogue actuator