

DESCRIPTION

The **DV** series volume dampers are designed for air flow and pressure control in ducts. They consist of "U" shaped blades that can be adjusted in three ways:

- Manually: type **DR**
- ON/OFF actuator: type **DR-S1**
- Analogue actuator: type **DR-S2**

Their main characteristics are:

- Aerodynamic blades made of extruded aluminium, connected by gears for opposed synchronized movement.
- Blade pitch of 96 mm or 120 mm, to fit all dimensions.
- PVC foam seal.

NOMINAL SIZES

The **DV** volume dampers are available in any combination of dimensions to meet the needs of the project.

We highlight that:

- The order dimensions are the dimensions of the **opening**.
- The blades are placed parallel to the **first** dimension of the duct.

ACCESSORIES

- Manual control lever, **DV**
- ON – OFF actuator, **DR-S1**
- Analogue actuator (220V or 24V), **DR-S2**

INSTALLATION - FIXING

Each damper is fixed on the duct by means of rivets.

AIR FLOW CONTROL

The air flow is altered by adjusting the incline of the blades by means of control lever or actuator.

MATERIALS

Casing: Galvanized steel.

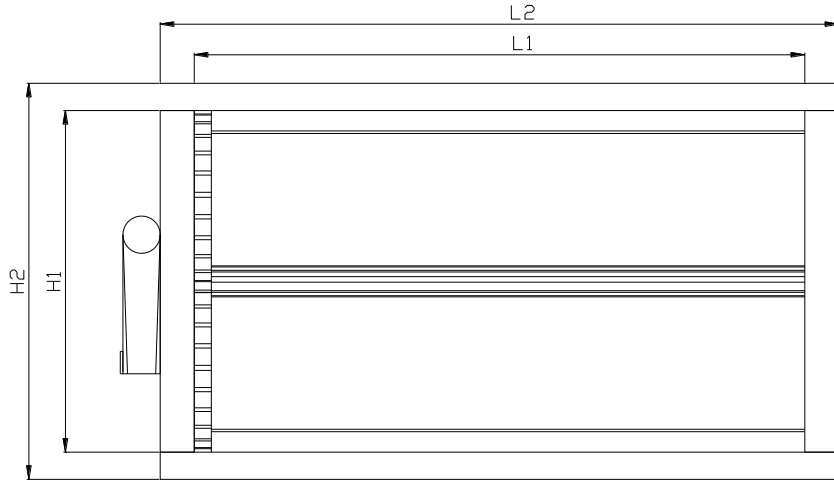
Blades: Extruded aluminium anodized in matt silver.

Bearings: PVC.

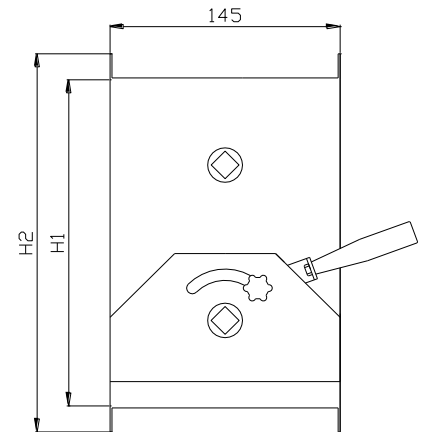
Gears: Polypropylene resistant up to 150°C.

SPECIFICATION TEXT

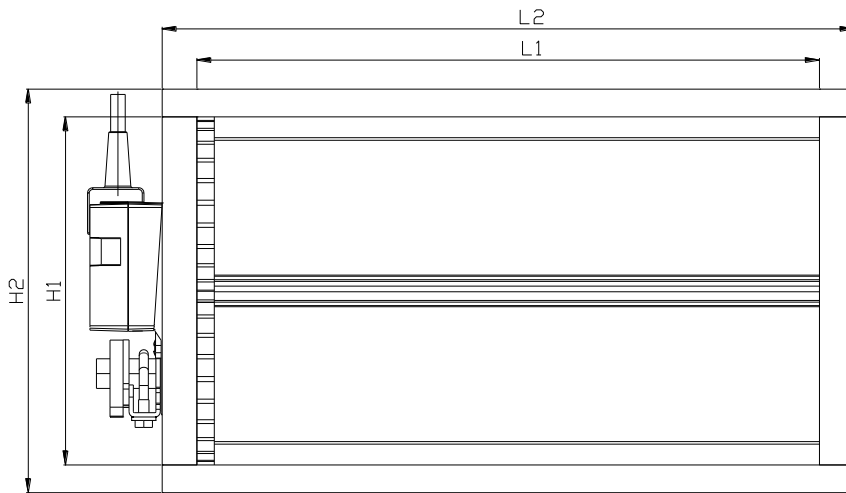
Multi-leaf volume damper consisting of galvanized steel casing, extruded aluminium blades and PVC gears. The blades will be coupled for opposed movement and the casing will include a lever for manual adjustment of the air flow, or an actuator for remote adjustment.



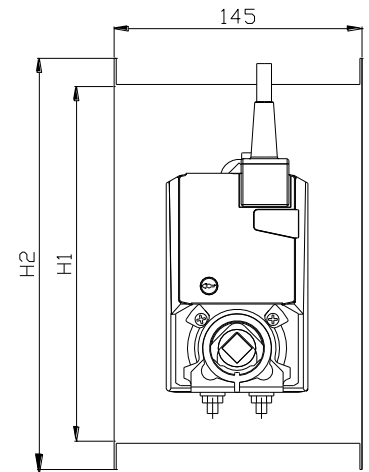
DV – FRONT VIEW



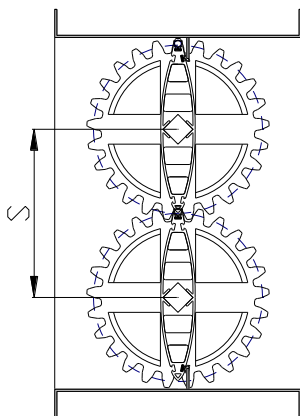
DV – SIDE VIEW



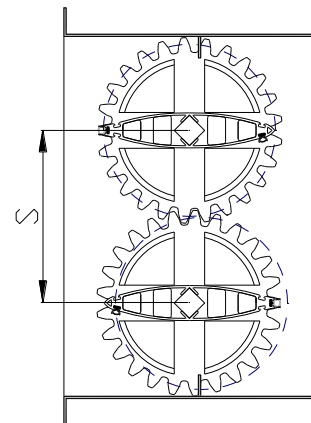
DV – S1/S2 – FRONT VIEW



DV – S1/S2 – SIDE VIEW

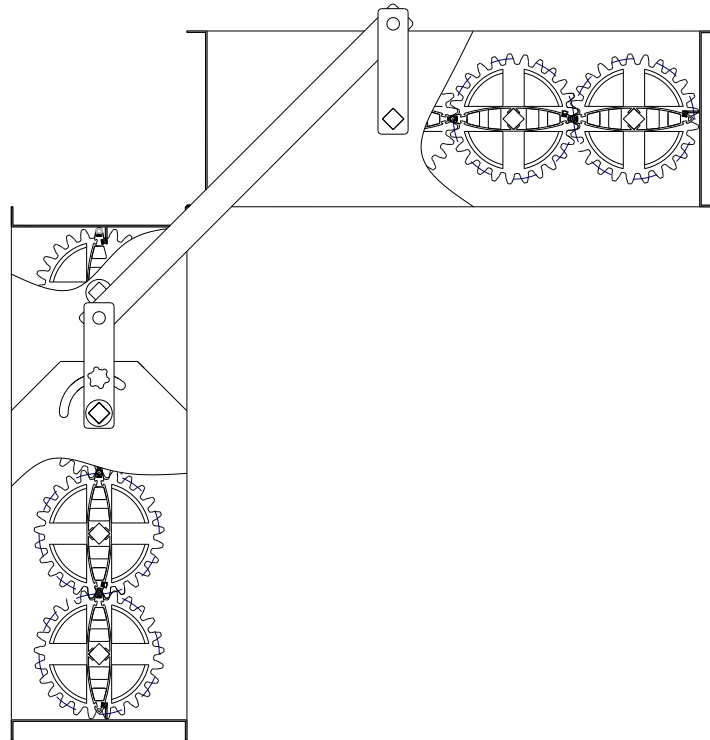


DV – SECTION - CLOSED

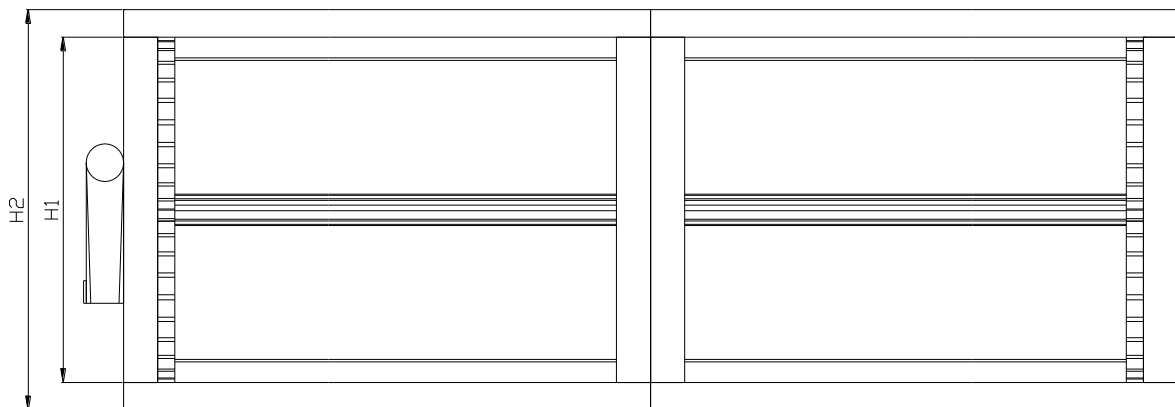


DV – SECTION - OPEN





COUPLING – 90 °C



COUPLING – PARALLEL

- L₁ : Nominal length – horizontal dimension
- H₁ : Nominal height – vertical dimension
- L₂ : Overall length $L_2 = L_1 + 50\text{mm}$
- H₂ : Overall height $H_2 = H_1 + 50\text{mm}$
- S : Blade pitch, 100 mm or 120 mm.