

TYPE CR-700 / CR-700-O



DESCRIPTION

The **CR-700** diffusers provide a radial horizontal discharge. They consist of four circular conical blades that can be adjusted by regulating the distance of the frames from the core. The **CR-700** diffusers are suitable for supply and extract air and can be placed on false ceilings and ducts.

Their main characteristics are:

- Adjustable, removable core.
- Trapezoidal screw which allows adjustment of the gap between the core and the frame.
- Available with four or three conical blades (type Q).

NOMINAL SIZES

The **CR-700** diffusers are available in the following nominal diameters:

Φ 152 mm
Φ 203 mm
Φ 254 mm
Φ 305 mm

We highlight that:

- The nominal diameter is the diameter of the **opening** in the plenum box/duct.

ACCESSORIES

- Butterfly volume damper. (**- D**)
- Equalizing grid. (**- E**)

INSTALLATION - FIXING

The diffuser has no holes on the frame; it is fixed on the plenum box by removing the core.

CIRCULAR CEILING DIFFUSER WITH ADJUSTABLE CORE

AIR FLOW CONTROL

The air pattern can be altered by changing the distance of the conical blades from the core. (The distance between the blades is constant).

The volume damper is easily regulated by a key in the diffuser. The equalizing grid provides an even distribution of the air flow.

MATERIALS

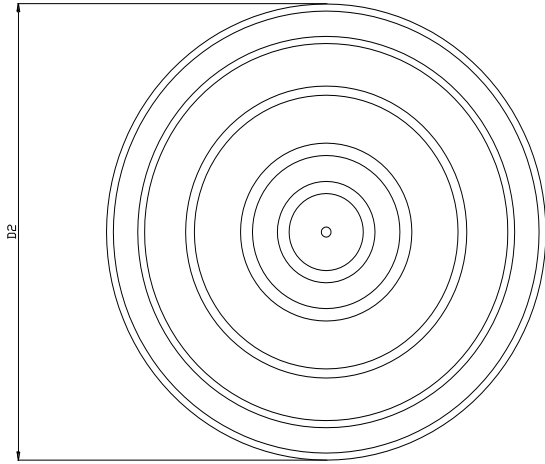
Frame and blades: Extruded aluminium anodized in matt silver or powder coated in RAL colour.

Volume damper: Galvanized steel sheet.

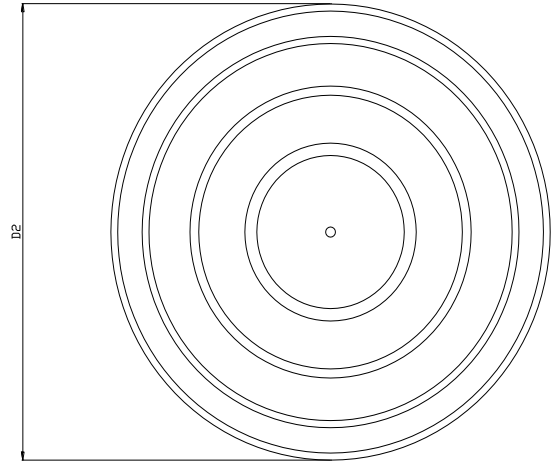
Equalizing grid: Aluminium.

SPECIFICATION TEXT

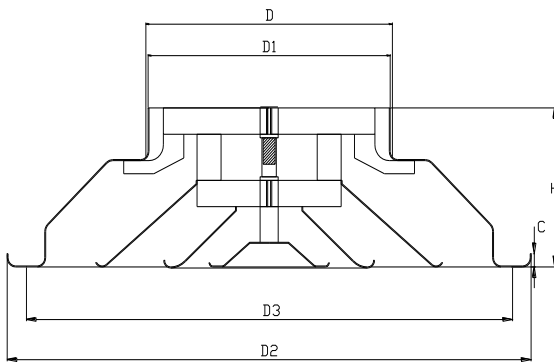
Circular ceiling diffuser consisting of concentric conical blades from anodized aluminium. With adjustable, removable core and optional butterfly damper and/or equalizing grid.



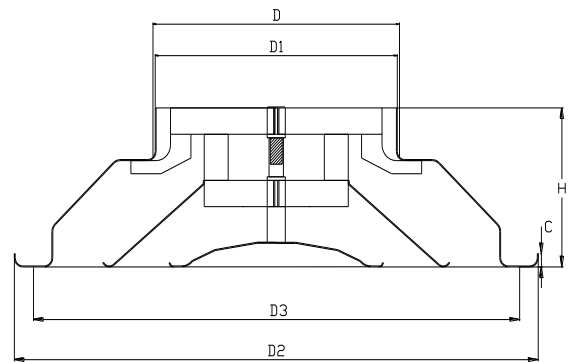
CR-700 - VIEW



CR-700-Q - VIEW



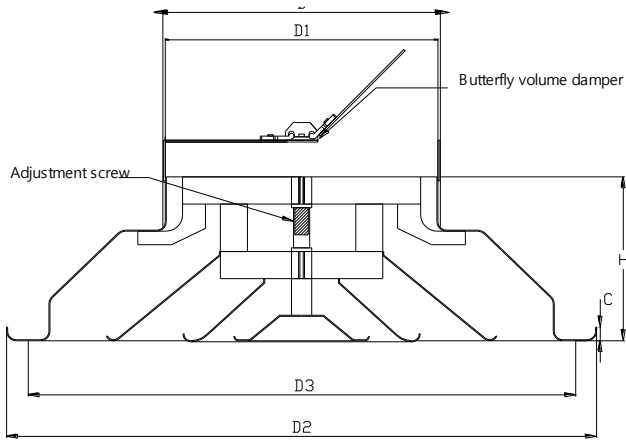
CR-700 - SECTION



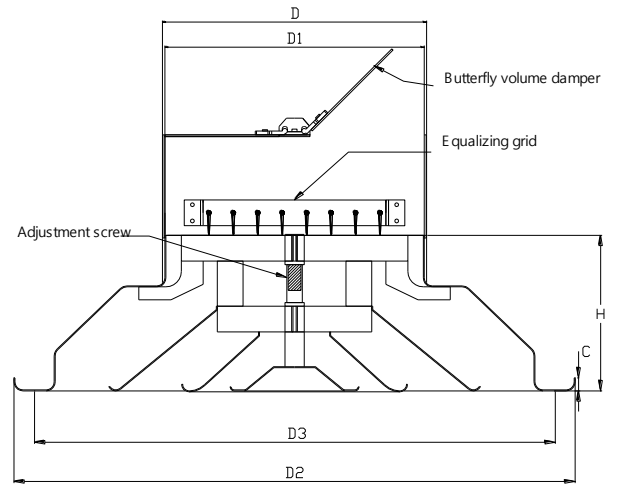
CR-700-Q - SECTION

Nominal Sizes (D)	D1	D2	D3	H	C
152	146	323	300	102	8
203	197	442	410	122	13
254	248	553	513	134	13
305	299	668	61	152	16

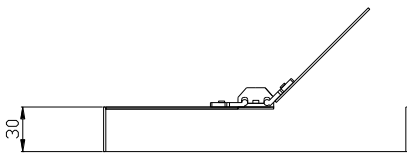
- D : Nominal diameter (Order diameter)
- D₁ : Diameter
- D₂ : Overall diameter
- D₃ : Opening in false ceiling
- H : Diffuser depth
- C : Frame depth



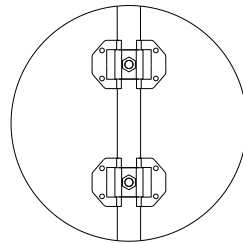
CR-700-D – SECTION WITH DAMPER



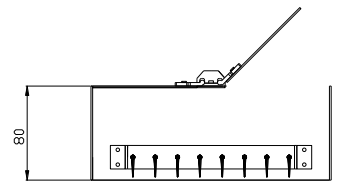
CR-700-D-E – SECTION WITH DAMPER AND GRID



BUTTERFLY DAMPER
SECTION



BUTTERFLY DAMPER
VIEW



BUTTERFLY DAMPER WITH
GRID - SECTION