

TYPE
JS-2000

ROTATABLE JET DIFFUSER



DESCRIPTION

The **JS-2000** diffusers are designed to supply large air quantities in spaces like stadiums, large gyms, and industrial spaces, for both cooling and heating applications. The JS-2000 jets provide air diffusion at large throw.

The diffuser consists of concentric fixed rings that create a uniform air flow on the horizontal plane; by rotating the diffuser's body, long jet throw air stream is achieved.

Their main characteristics are:

- Long throw for large air quantities.
- Adjustable air throw pattern.
- The diffusers can be rotated by 180°.
- 180°.

NOMINAL SIZES

The jet diffusers are available in the following diameters:

- **Φ 200**
- **Φ 250**
- **Φ 315**
- **Φ 400**

We highlight that:

- The nominal diameter is the **order diameter** for the case of direct mounting on the duct.

INSTALLATION

The **JS-2000** diffuser has no holes on the frame; it is mounted directly on the circular duct.

(For installation details, please refer to the relevant drawing).

AIR FLOW CONTROL

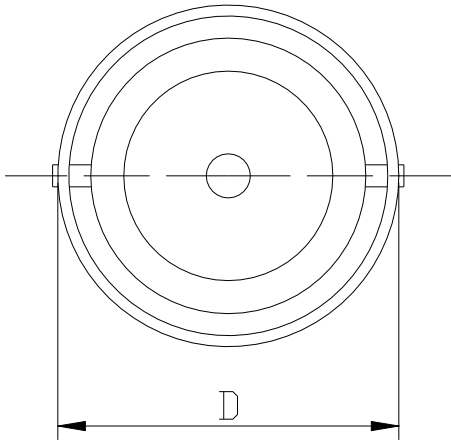
The direction of the supply air can be adjusted by manually rotating the outer ring.

MATERIALS

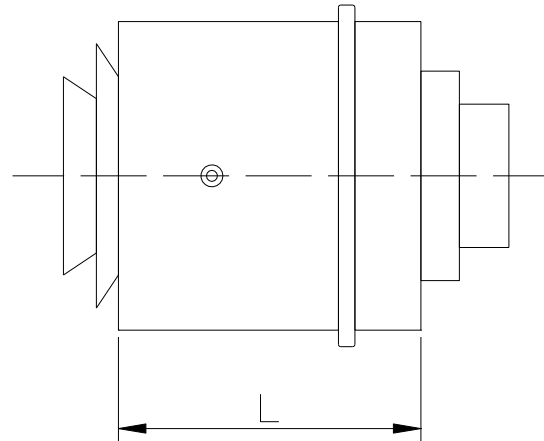
Extruded aluminium in mat silver or powder coated in RAL colour.

JS-2000 SIZING TABLE

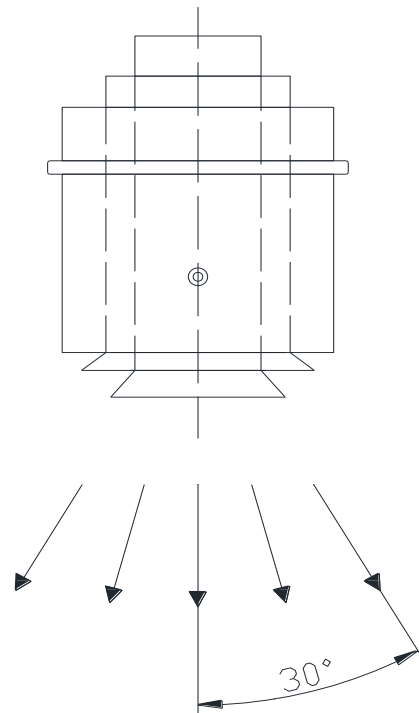
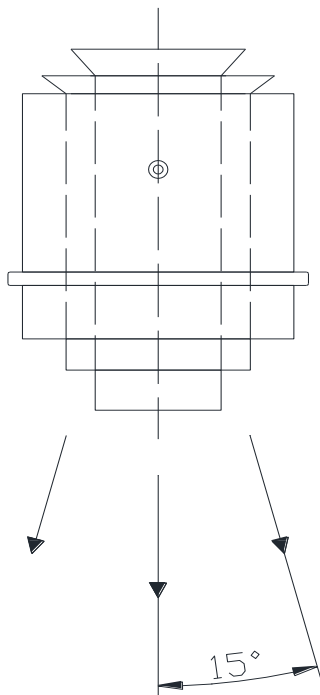
SIZE	Φ200	Φ250	Φ315	Φ400
D (mm)	196	246	311	396
Length L of outer ring (mm)	95	95	95	95
Number of rings	2	3	4	5



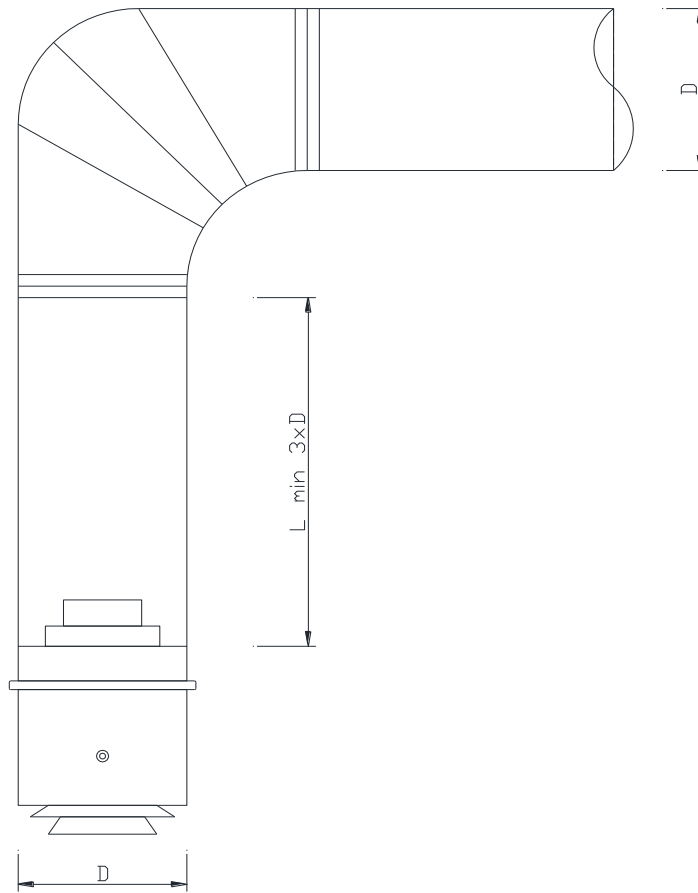
JS-2000 – VIEW



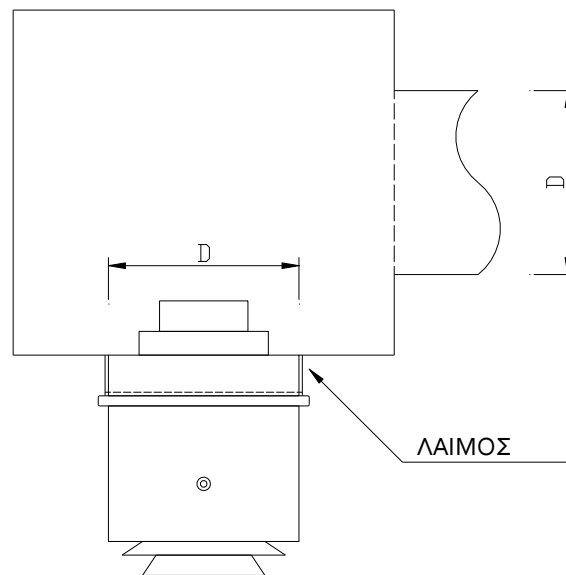
JS-2000 – SIDE VIEW



ADJUSTING THE AIR FLOW PATTERN FOR JET THROW AND DIFFUSING/CEILING THROW



JS-2000 – INSTALLATION ON DUCT (DETAIL)



JS-2000 – INSTALLATION WITH PLENUM BOX