

TYPE SW - 1400



DESCRIPTION

The **SW-1400** series diffusers are circular diffusers suitable for large ceiling heights (> 3,80 m) and temperature differential of up to 15 °C. The diffusers consist of six synchronically adjustable blades. The air diffusion can be altered by regulating the blades' angle, from horizontal, angled, to vertical projection, making them suitable for cooling and heating applications.

NOMINAL SIZES

The **SW-1400** diffusers are available in the following sizes:

- | | |
|----------|----------|
| 1. Φ 200 | 5. Φ 400 |
| 2. Φ 250 | 6. Φ 450 |
| 3. Φ 300 | 7. Φ 500 |
| 4. Φ 350 | 8. Φ 600 |

ACCESSORIES

- Two position (ON-OFF) actuator, **SW-1400-S1**.
- Proportional actuator (220V or 24V,) **SW-1400-S2**.
- Thermostatic mechanism, **SW-1400-TH**.
- Crossbar for concealed fixing.
- Equalizing grid.
- Plenum box.

CEILING SWIRL DIFFUSER WITH ADJUSTABLE BLADES

INSTALLATION – FIXING

- Direct mounting on visible duct by means of rivets on the diffusers' neck.
- Concealed fixing by means of crossbar.
- Concealed fixing on false ceiling by means of screws on the plenum box.
- The frame can be ordered with counter punched holes for visible installation.

AIR FLOW CONTROL

The air diffusion can be altered by adjusting the angle of the blades (30° for cooling – 75° for heating).

MATERIALS

Outer ring and shell: Aluminium powder coated in white colour or in other RAL colour.

Blades: Galvanized steel powder coated in white colour or in other RAL colour.

Crossbar: Galvanized steel.

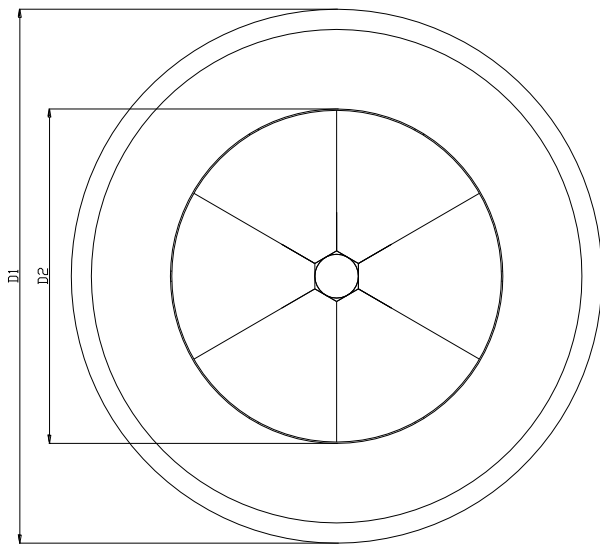
Equalizing grid: Galvanized steel.

Screws: Galvanized steel (DIN 7504).

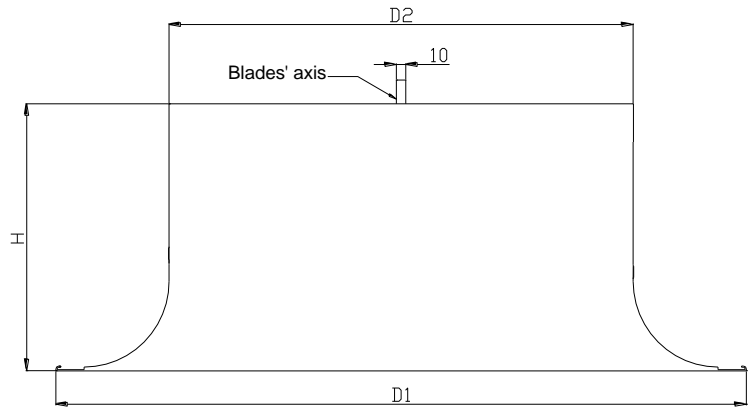
Transmission system: ABS plastic.

SPECIFICATION TEXT

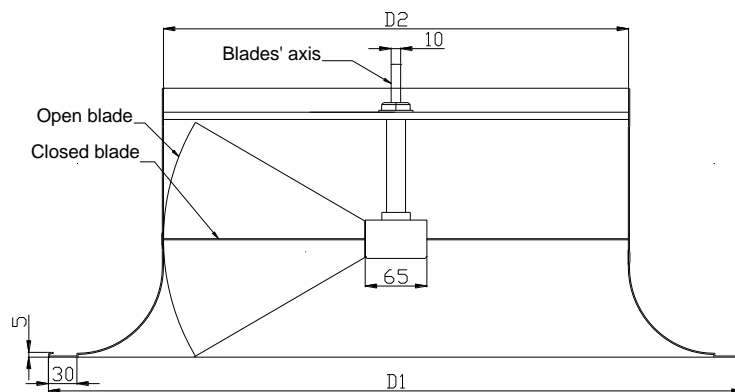
Circular swirl diffuser with adjustable blades, suitable for air distribution in ceiling heights >3,80 m, in both cooling and heating. Consisting of outer ring and shell made of powder coated aluminium and blades made of galvanized steel. The blades are synchronically adjusted to different angles. With optional ON-OFF actuator, proportional actuator or thermostatic mechanism.



SW-1400 – VIEW



SW-1400 – SIDE VIEW



SW-1400 – SECTION

Nominal diameter	D1	D2	H	Nominal diameter	D1	D2	H
200	342	195	140	400	577	395	240
250	390	245	140	450	682	445	240
300	495	295	200	500	737	495	240
350	536	345	200	600	887	595	295

D₁ : Overall diameter
D₂ : Neck diameter
H : Height