

TYPE SL- 850 - L



DESCRIPTION

The **SL-850-L** diffusers are suitable for the modern architectural aesthetics, where large air quantities are required. The diffusers are constructed for concealed fixing on the back of the plasterboard and are suitable for both supply and extract air applications.

The main characteristics are:

- Sliding blade adjustable from the diffuser face.
- Bearings and springs for the blade support, preventing vibrations and noise generation.

AVAILABLE TYPES

The **SL-L** is available in 1" and 1.5" slits. For extract air applications 2" and 2.5" slits are also available. The diffusers are also available with one and two rows, with codes **SL-851-L** and **SL-852-L** respectively.

NOMINAL SIZES

The nominal height of the diffusers is related to the slit width. The blade is placed parallel to the **first** dimension (length).

ACCESSORIES

- Equalizing grid consisting of one row of adjustable blades. (-E)
- Plenum box, «Ω» type. (-PB)
- Cap made from galvanized steel in black matt colour to create active and inactive parts, maintaining an optically single diffuser.

ONE-SLOT LINEAR DIFFUSER

AIR FLOW CONTROL

The air throw pattern can be altered by adjusting the blade from the diffuser face. The air throw can be arranged horizontally and vertically.

MATERIALS

Frame and blade: Extruded aluminium powder coated in black matt colour. Also available anodized in matt silver or power coated in RAL colour.

Bearings: Extruded aluminium with «Ω» type PVC.

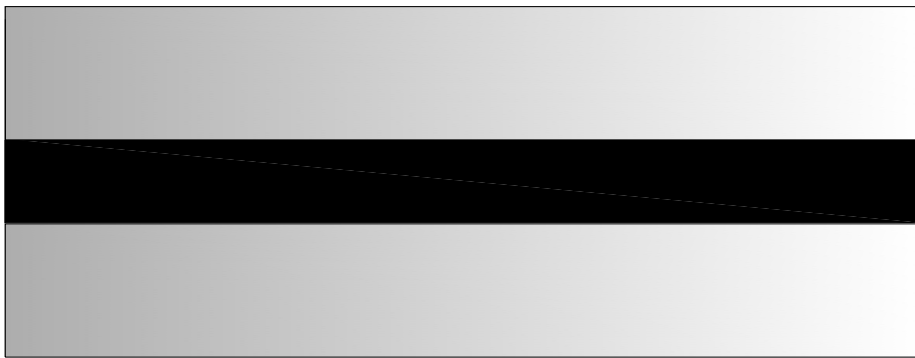
Screws: Galvanized steel (DIN 7504).

SPECIFICATION TEXT

Supply-return air single slot diffuser for modern architectural aesthetics, without visible frame. The adjustable inner blade is suitable for altering the air flow pattern horizontally and vertically. The slot width (inner blade) is a function of the air flow rate per meter length. Constructed from aluminium, powder coated in black matt colour.

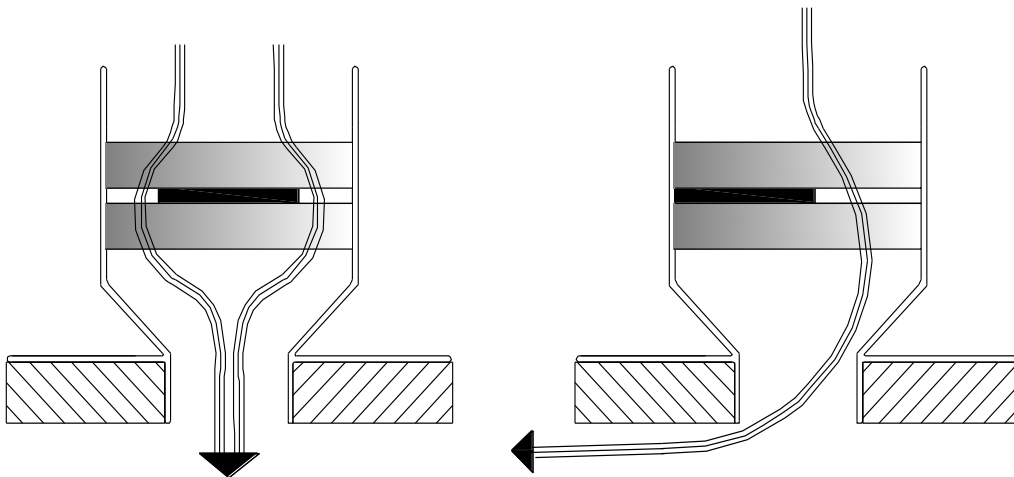


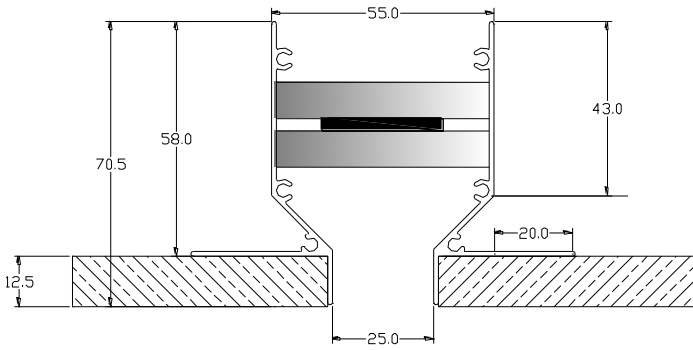
SL-850-L – VIEW



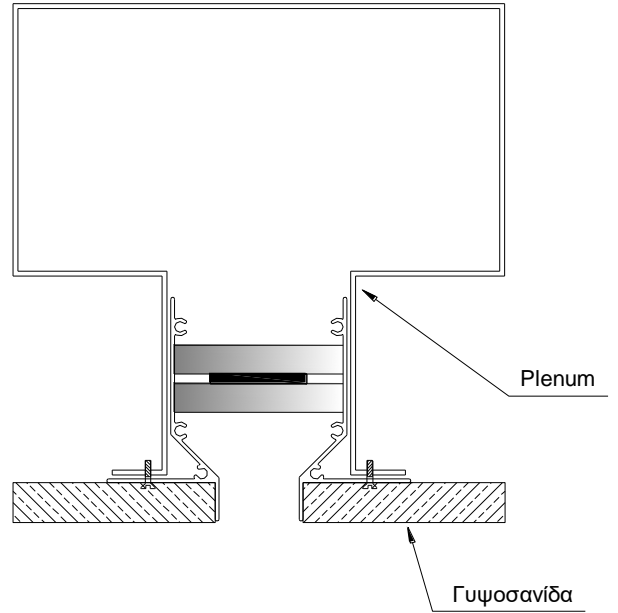
SL-850-L – VIEW – FIXED ON PLASTERBOARD

AIR FLOW THROW PATTERNS

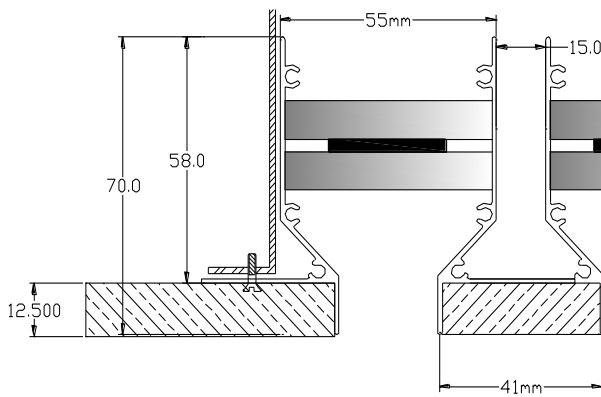




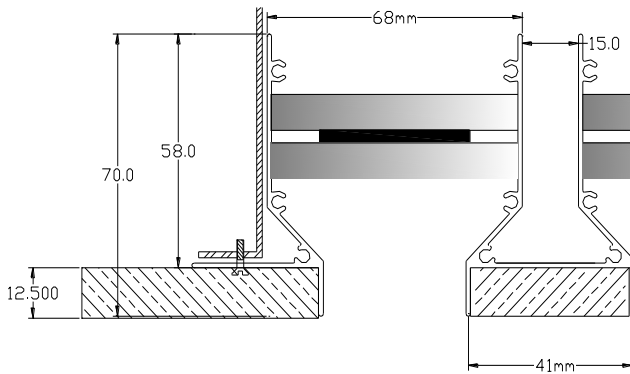
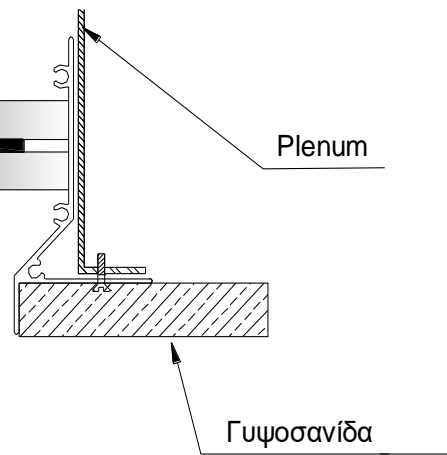
SL-851-L-1" – SECTION



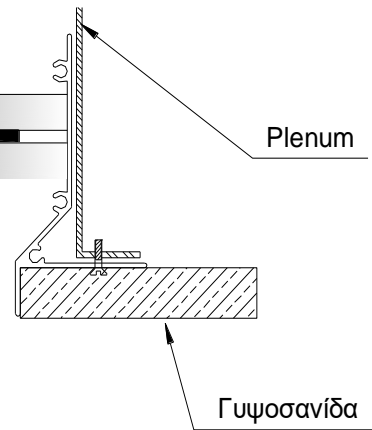
SL-851-L – SECTION WITH «Ω» TYPE PLENUM



SL-852-L-1" – SECTION



SL-852-L-1.5" – SECTION



	Nominal size	1"	1.5"	2"	2.5"
Slit width (mm)	SL-851-L	25	38	50	63
Nominal height (mm)	(Slit + 30) mm	55	68	80	93
Opening/ plenum dimension (mm)	(Width + 5) mm	60	73	85	98

	Nominal size	1"	1.5"	2"
Slit width (mm)	SL-852-L	2x25	2x38	2x50
Nominal height (mm)	[Varies]	127	173	183
Opening/ plenum dimension (mm)	(Width + 7) mm	132	158	188

NOTES

1. When ordering, refer first to the dimension parallel to the blade.