

TYPE
CM – 501/502/503/504 – A
CM – 501/502/503/504 – A-F



DESCRIPTION

The grilles of the **CM-500-A,A-F** series can be easily opened for inspection and maintenance in HVAC installations. They are available with or without air filter.

Their main characteristics are:

- The basic features of every type counterpart the features of the **CM** series.
- Ease of opening for washing or filter replacement.
- In the grilles without filter that are used as access doors, the volume damper is adjusted to the opening part of the grille.

NOMINAL SIZES

The grilles are available in any combination of dimensions to meet the needs of the project.

We highlight that:

- The order dimensions are the dimensions of the **opening**.
- The blades are placed parallel to the **first** dimension of the grille.
- Production codes: **(-A)** – Accessible
(-F) – Filter
(-A-F) – Accessible with filter

ACCESSORIES

- Opposed blades volume damper, adjustable by an easily accessible key. **(-D)**
- Dust or grease filter. The dust filters are available in white **VILEDON** or net black **FCU** type. Grease filters are metallic. (See relevant brochure). **(-F)**
- The grilles are available with 32 mm or 19 mm width frame.
- A door handle can be placed on the grilles for ease of opening.

CEILING GRILLE WITH ADJUSTABLE
CURVED BLADES – ACCESSIBLE
ACCESSIBLE WITH FILTER

INSTALLATION – FIXING

Each grille frame has counter punched holes and is delivered with flat-head, self-drilling screws, powder coated in the same RAL colour as the grille. For concealed installation, the frame has no holes.

MATERIALS

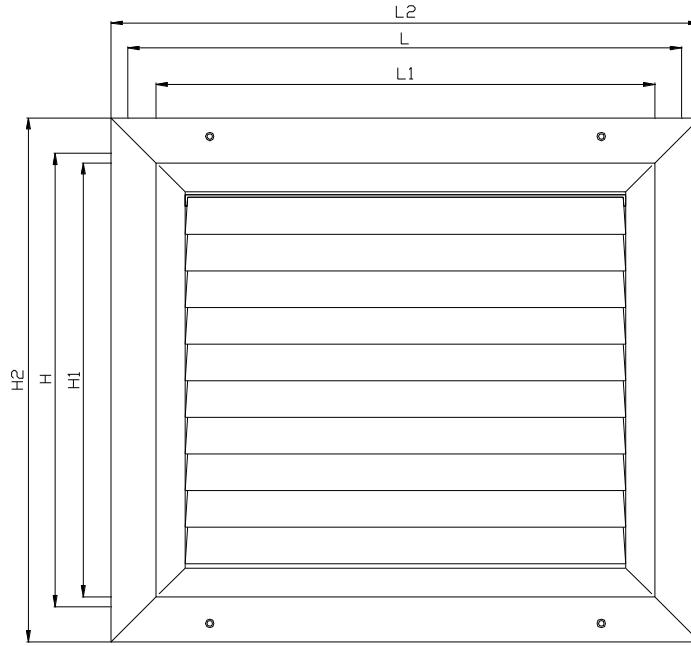
Frame and blades: Extruded aluminium anodized in matt silver or powder coated in RAL colour.

Bearings: Polyethylene resistant up to 45°C. For resistance in higher temperatures, the blades are placed on steel spring.

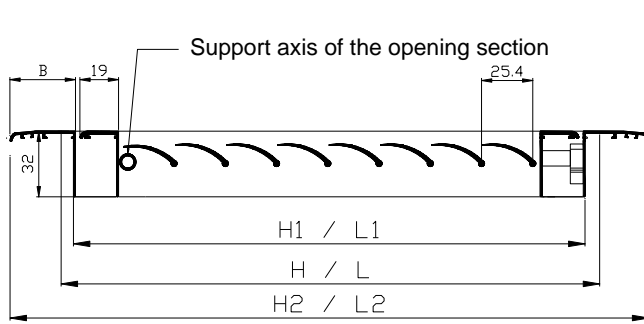
Frame seal: «Ω» type PVC. (Only available for 32 mm width frame).

Volume damper: Aluminium.

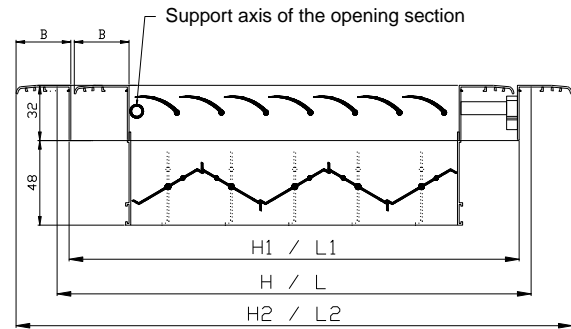
Screws: Galvanized steel (DIN 7504).



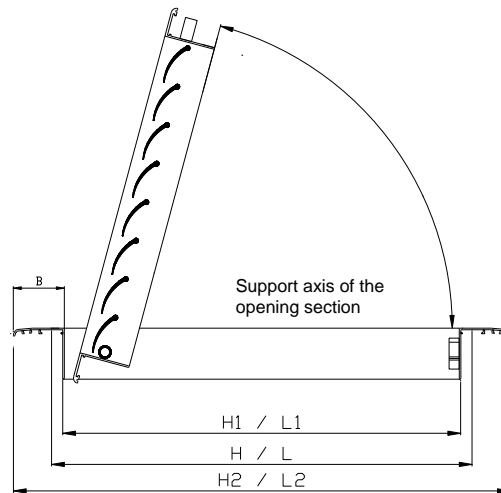
CM-501-A – VIEW



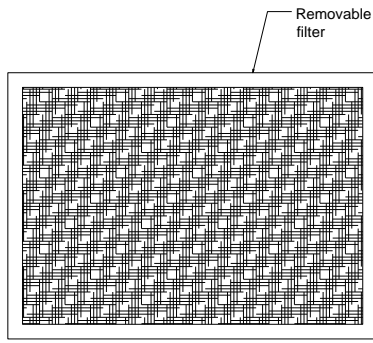
CM-501-A – SECTION



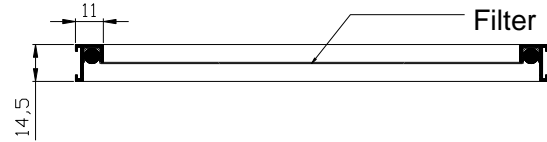
CM-501-D-A – SECTION WITH DAMPER



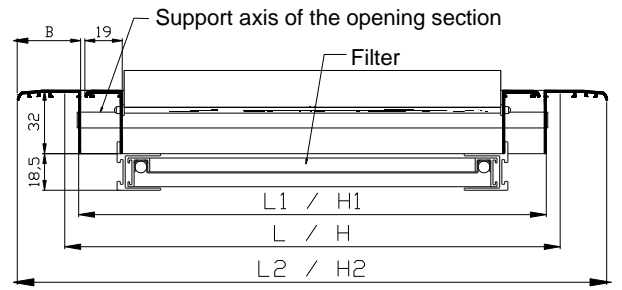
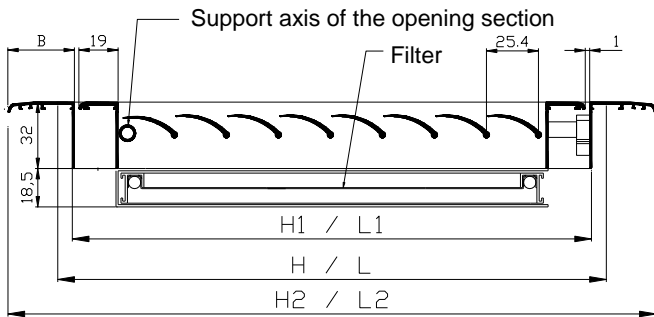
CM-500-D-A – SECTION WITH DAMPER



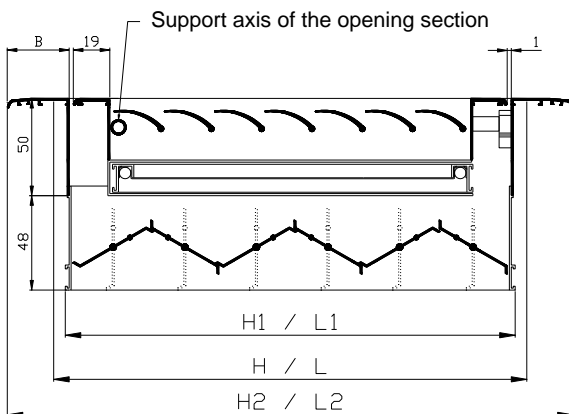
FILTER – VIEW



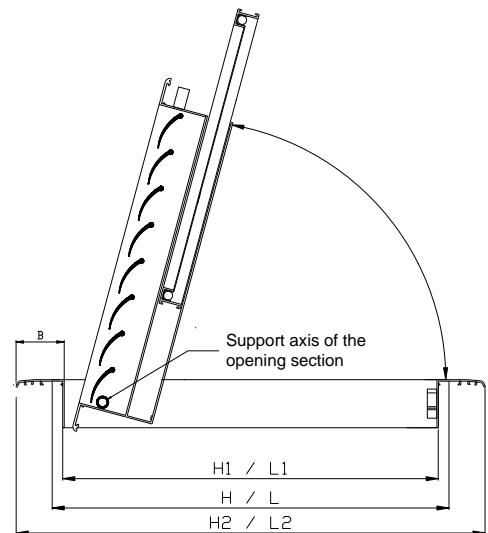
FILTER – SECTION



CM-500-A-F – SECTIONS



CM-500-D-A-F – SECTION WITH DAMPER



CM-500-A-F – SECTION



- L : Nominal length – horizontal dimension
H : Nominal height – vertical dimension
L₁ : Length $L_1 = L - 12\text{mm}$ to -16mm
H₁ : Height $H_1 = H - 12\text{mm}$ to -16mm
L₂ : Overall length $L_2 = L_1 + 2B$
H₂ : Overall height $H_2 = H_1 + 2B$
B : Frame width. Typical 32 mm. Optional 19 mm.

NOTES

1. When ordering, refer first to the dimension parallel to the blades, i.e. for horizontal blades length is specified first and for vertical blades height is specified first.
2. Volume damper is available for all types.
3. The grille comes with counter punched holes and self-drilling screws in the same RAL colour.
4. The number of holes is two (one on the right and one on the left) for grilles up to 250 mm, and four (two on the top and two on the bottom) for grilles over 300 mm.